



Swiss Payment Standards 2021

Swiss Business Rules
for Payments and Cash Management
for Customer-Bank Messages

Version 2.10, with effect from 19 November 2021



General notes

Any suggestions or questions relating to this document from bank customers should be addressed to the corresponding financial institution or software company.

Any suggestions or questions relating to this document from financial institutions or software companies should be addressed to SIX Interbank Clearing Ltd at the following address: operations@six-group.com.

Amendment control

All the amendments carried out on this document are listed in an amendment record table showing the version, the date of the amendment and a brief amendment description.

Amendment control

Version	Date	Amendment description
2.10	26.02.2021	<p>Section 1.4: References [8] to [13] updated.</p> <p>Section 1.7 "End of ISR/IS process on 30.09.2022" new.</p> <p>Section 2.1.1: In table 3 "Transactions going to a financial institution in Switzerland", reference to end of payment type 1 and 2 added in line "Payment slip".</p> <p>Section 2.1.4"Restriction of validity for ISR/IS" new (section number of section "QR-bill" changes as a result to 2.1.5).</p> <p>Section 9.2: Reference to end of the ISR/IS process and different deadline for the delivery of receipts from ISR and IS inserted.</p>
2.9	28.02.2020	<p>Preface: General note broken down by addressee (bank customers or financial institutions/software companies) and e-mail address updated.</p> <p>Section 1: Additional declaration for PaCoS deleted.</p> <p>Section 1.4: References [8] and [9] updated.</p> <p>Section 1.6: Links updated.</p> <p>Section 2.1.1: Table 3 "Transactions going to a financial institution in Switzerland" specified more precise.</p> <p>Sections 4.3 and 4.3.1: Description of booking information newly formulated and specified.</p> <p>Section 7: Heading changed from "General statement on the introduction" to "Limitations when using ISO 20022".</p> <p>Section 7.1 "Transitional scenarios" deleted.</p> <p>Section 9.7.1: Description of batch booking variant 7 supplemented.</p> <p>Section 9.8.8: Note about the IPI slip removed.</p>
2.8	11.02.2019	<p>References to the previous payment traffic standards DTA and EPO removed.</p> <p>Section 1.5: Version description made more precise.</p> <p>Section 2.1.4: Details about the QR-bill made more precise.</p> <p>Section 2.2.2: Details about the Direct Debit Initiation for the Swiss direct debit procedure updated.</p> <p>Section 4.5.2.6: Description of the application of the "Category Purpose" and "Purpose" elements updated.</p> <p>Section 4.11 "Salary/pension flag (Element Category Purpose <CtgyPurp>)" completely replaced by new section "Confidential payments".</p> <p>Section 4.13.1: Details about the "Requested Execution Date" element updated.</p> <p>Section 8: Screenshot of the validation portal replaced.</p> <p>Section 9.3.1: Details about messages on D-Level updated.</p> <p>Section 9.5: Details regarding the size of "camt" messages made more precise.</p> <p>Section 9.7.1: Batch booking versions 6 and 7 added.</p>

Version	Date	Amendment description
2.7	27.01.2018	Publication as "Correction Version": Replaces original version 2.7 dated 18.12.2017. The amendments are marked in the document with a vertical blue line in the margin.
	18.12.2017	<p>Title changed to "Swiss Payment Standards 2018", version and start of validity indicated on title page.</p> <p>Section 1 and 1.4: Swiss Usage Guide removed.</p> <p>Section 1.4: New versions of the SEPA Rulebooks and Implementation Guidelines 2017, Swiss Implementation Guidelines QR-bill newly added.</p> <p>Section 1.5: Version description made more precise.</p> <p>Section 2.1.1: Information about the QR-IBAN added.</p> <p>Section 2.1.2: Note about the creditor's financial institution for SEPA transfers modified.</p> <p>Section 2.1.3: Note inserted that payment type 7 will no longer be supported after 01.01.2018.</p> <p>Section 2.1.4: Description of QR-bill inserted.</p> <p>Section 3.1: Description of AOS "Additional participants" adapted.</p> <p>Section 3.5: Information about the "camt" versions that are supported has been updated.</p> <p>Section 4.2.3: Formatting rules made more precise.</p> <p>Section 4.3.1: AOS Batch Booking <BtchBookg> and references to different currencies removed.</p> <p>Section 4.4: Description of "Remittance Information" modified and payment type E1 deleted.</p> <p>Section 4.5.1 and 4.5.2.3: "Instruction Priority" NORMAL corrected to NORM.</p> <p>Section 4.8: New description inserted.</p> <p>Section 4.13.2: AOS formulated to be non-payment-type-specific.</p> <p>Section 7.1: SIC message standard deleted and text made more precise.</p> <p>Section 7.2: Text made more precise.</p> <p>Section 9.5: New description inserted.</p> <p>Section 9.7: Message names deleted from title</p> <p>Section 9.7.1: Description of "Batch booking for business cases ISR/LSV, CH-DD and QR-IBAN" inserted.</p> <p>Section 9.8.2: Code INFO added.</p> <p>Section 9.8.5: "Reference Account Owner" is not Field 61, sub-field 7, but Field 86. Text in note made more precise.</p> <p>Section 9.10.1: Code OTHR added.</p>
2.6.2	07.08.2017	Publication as "Minor" version: Change of the designation "Swiss recommendations" to "Swiss Payment Standards".
2.6.1	07.11.2016	Publication as "Minor" version: Section 2.1.4 Look ahead to "Payment slip with QR code" (with effect from 2018) updated.
2.6	25.07.2016	<p>Title page and colour scheme for tables and illustrations amended to comply with the new Brand Identity Guidelines.</p> <p>Various textual changes/standardisations throughout the document.</p> <p>Explanation of the change from BC no. to IID added to the Foreword.</p> <p>Section "Payment Status Report (pain.002)" removed to separate Implementation Guidelines.</p>

Version	Date	Amendment description
2.5	10.08.2015	General updating of the document
2.4	30.06.2013	Various clarifications
2.3	30.04.2012	Various clarifications, section 6.10 "Validation point" completely revised, new company logo
2.2	16.08.2011	Amendments to Cash Management messages, general updating of the document
2.1	01.06.2010	Additions relating to the Status Report
2.0	15.02.2010	Updating of recommendations to comply with ISO MR 2009, Additional information about Cash Management (only German version)
1.0	15.05.2009	First edition (only German version)

Table of contents

1	Introduction	9
1.1	Amendment control	9
1.2	Scope	10
1.2.1	Elements with no relevance to the Swiss Payment Standards	10
1.2.2	Additional Optional Services (AOS)	10
1.2.3	Direct Debit	11
1.3	Benefits	12
1.4	Reference documents	13
1.5	Interface versions	15
1.6	Links to the relevant Internet pages	15
1.7	End of ISR/IS process on 30.09.2022	15
2	Business situations	16
2.1	Credit Transfer Initiation	16
2.1.1	Transfers to a financial institution in Switzerland	16
2.1.2	Transfers to a financial institution abroad	17
2.1.3	Payments not involving a financial institution in Switzerland or abroad	18
2.1.4	Restriction of validity for ISR/IS	19
2.1.5	QR-bill	20
2.2	Direct Debit Initiation	21
2.2.1	Direct Debit Initiation for the SEPA direct debit procedure	21
2.2.2	Direct Debit Initiation for the Swiss direct debit procedure	21
2.3	Cash Management messages	21
3	Message structure and summary	22
3.1	Summary of message flow	22
3.2	Message structure Customer Credit Transfer Initiation	23
3.3	Message structure Customer Direct Debit Transfer Initiation	25
3.4	Message structure Payment Status Report	27
3.5	Message structure Cash Management messages	29
4	Customer Credit Transfer Initiation	32
4.1	Principles of message structure	32
4.1.1	Treatment of B- and C-Level in Customer Credit Transfer	32
4.1.2	Inheritance of instructions	32
4.1.3	Elements which have no relevance to the Swiss Payment Standards	32
4.2	Grouping of payments	33
4.2.1	Survey	33
4.2.2	Forming groups	34
4.2.3	Grouping based on "Payment Type Information"	34
4.3	Booking information (Batch Booking)	35
4.3.1	Use of Batch Booking in Switzerland	35
4.4	Customer Credit Transfer Initiation references	37
4.5	Instructions (Payment Instruments)	42
4.5.1	Overview	42

4.5.2	Applying the instructions in Switzerland	42
4.6	Identification of the parties involved	45
4.6.1	Identification of financial institutions	45
4.6.2	Identification of debtor and creditor	46
4.6.3	Identification of "Ultimate" Debtor and Creditor	47
4.7	Controlling the debit advice (Debtor Account Type)	48
4.8	Limiting the message size	49
4.9	Character set	49
4.10	Checking for duplicates	49
4.11	Confidential payments	50
4.11.1	Debit side	50
4.11.2	Credit side	50
4.11.3	Online-Banking Services	50
4.12	Version for cheques	51
4.13	Definitions of specific elements	52
4.13.1	Requested Execution Date element	52
4.13.2	Instruction for Debtor Agent and Creditor Agent element	52
4.13.3	Control Sum	53
5	Customer Direct Debit Initiation	54
5.1	Handling B- and C-Levels in Direct Debit	54
6	Customer Payment Status Report (pain.002)	55
7	Limitations when using ISO 20022	56
8	Central validation point	57
9	Business Rules Customer Cash Management	59
9.1	"camt" messages – the future of electronic account information	59
9.2	Messages according to the Swiss Payment Standards	59
9.3	Principles of message structure	61
9.3.1	Handling B-, C- and D-Levels	61
9.4	Different versions of camt.052, camt.053 and camt.054	61
9.5	Size restriction	62
9.6	Referencing certain messages	62
9.7	Breakdown of batch bookings (pain.001, pain.008)	62
9.7.1	Batch booking scenarios	62
9.7.2	Possible batch booking breakdown	64
9.8	Definitions of specific elements on the basis of camt.053	65
9.8.1	Balance <Bal>, B-Level	65
9.8.2	Balance Type <Tp>, B-Level	66
9.8.3	Entry Status <Sts>, C-Level	67
9.8.4	Bank Transaction Code <BkTxCd>, C-Level	67
9.8.5	References <Refs>, D-Level	68
9.8.6	Bank Transaction Code <BkTxCd>, D-Level	69
9.8.7	Purpose <Purp>, D-Level	69
9.8.8	Remittance Information <RmtInf>, D-Level	69
9.9	Bank to Customer Account Report (camt.052)	70
9.9.1	Balance <Bal>, B-Level	70

9.9.2	Entry Status <Sts>, C-Level	70
9.10	Bank to Customer Debit Credit Notification (camt.054)	71
9.10.1	Reporting Source <RptgSrc> <Prtry>, B-Level	71
9.10.2	Balance <Bal>, B-Level	71
9.10.3	Entry Status <Sts>, C-Level	71
Appendix A: Comparison camt.053 – MT940		72
Appendix B: References in Cash Management Report		73
Appendix C: AOS list		74
Appendix D: Basis for the Swiss Payment Standards		75
Appendix E: Glossary and list of abbreviations		76
Appendix F: Table of tables		78
Appendix G: Table of figures		79

1 Introduction

The Swiss Payment Standards for implementing the message standards for Payments Initiation and Cash Management based on ISO standard 20022 have been produced on the instructions of PaCoS (Payments Committee Switzerland). This version is based on the ISO Maintenance Release 2009 and the latest EPC recommendations, and for Cash Management on the "ISO Maintenance Release 2013" version.

The Swiss Payment Standards consist of the following documents:

- Swiss Business Rules (this document)
- Swiss Implementation Guidelines
 - for Credit Transfer (pain.001)
 - for the Swiss direct debit procedure (pain.008)
 - for the SEPA direct debit procedure (pain.008)
 - for Cash Management messages (camt.052, camt.053 and camt.054)
 - for Status Report (pain.002)
 - for the QR-bill

The first document, the **Business Rules**, describes the requirements of business representatives of users, financial institutions and software providers, from the point of view of processes. It discusses the following subjects:

- Definition and description of specific business transactions, describing the relevant parties and the messages that are used (types of payments, versions of reports)
- Summary of message structures with more detail about certain structural elements
- Description of the main validation rules and ways of handling errors.

The **Implementation Guidelines** serve as manuals for the technical implementation of the standard and provide assistance in producing the various message types. They describe the XML structures and validation rules in detail.

1.1 Amendment control

The Swiss Business Rules and Implementation Guidelines documents are subject to the amendment authority of

SIX Interbank Clearing Ltd
Hardturmstrasse 201
CH-8021 Zurich

and reflect the regulations of Swiss financial institutions. Any future amendments and additions will be made by SIX Interbank Clearing by agreement with the Swiss financial services industry.

The latest version of this document can be downloaded from the SIX Interbank Clearing website at the following address: www.iso-payments.ch

1.2 Scope

As mentioned in the title, this document deals with messages for Payment Transactions (pain) and Cash Management (camt). The following messages are described:¹

- Customer Credit Transfer Initiation (ISO pain.001)
- Customer Direct Debit Initiation (ISO pain.008)
- Customer Payment Status Report (ISO pain.002), referred to below as the Payment Status Report
- Customer Account Report (ISO camt.052)
- Customer Statement (ISO camt.053)
- Customer Debit/Credit Notification (ISO camt.054)

The document mainly describes the exchange of messages between the customer (in references to MT950, a financial institution is intended as the customer) and the financial institution. The role of clearing systems (ACH) and the exchange of messages between financial institutions (interbank messages, pacs.nnn) do not form part of this document. They are only discussed in so far as this is required in order to describe the Business Rules.

The financial institutions have committed themselves as far as possible to joint rules on message validation and to providing standardised status and error messages. With regard to the way orders are processed (e.g. cut-off times, the handling of specific attributes such as how partially incorrect orders are processed or how particular order statuses are acknowledged etc.), the approach may vary between specific institutions.

1.2.1 Elements with no relevance to the Swiss Payment Standards

Those elements which are not described in the Business Rules and Implementation Guidelines for the Swiss Payment Standards must not be used without consulting the financial institution (using these elements can lead to rejection of the whole message during schema validation). In specific cases, an AOS (Additional Optional Service) can be agreed with financial institutions for one specific element which is only processed within that financial institution.

1.2.2 Additional Optional Services (AOS)

- AOS** In general, the recommendations in this document are supported by all Swiss financial institutions. Additional services which are not always handled in the same way are identified as "Additional Optional Services" (AOS) and are marked as shown here in the relevant places.

¹ The terms "document" and "message" are sometimes used synonymously. In the context of ISO 20022 C2B they refer for instance to an account statement or to the instruction by the ordering party, comprising one or more payments, which are sent to the financial institution in a transfer packet (like the DTA or EPO file).

1.2.3 Direct Debit

The subject of the SEPA direct debit procedure and the Swiss direct debit procedure and so also the "Customer to Bank Direct Debit Initiation" (pain.008) message are not described again fully in this document, because most of the elements have the same meaning as in the "Customer Credit Transfer Initiation" message. So the definitions listed here for the "pain.001" message also apply in principle to the "pain.008" message, while the Status Report (pain.002) is used by Swiss financial institutions according to these definitions both as a response message in Credit Transfer (to a "pain.001") and also in Direct Debit (to a "pain.008").

Comment: For the time being, SEPA Direct Debit is not intended to replace the financial institutions' existing national direct debit messages and processes. SEPA Direct Debit is offered in parallel to the existing national processes. Validation and processing are in accordance with the latest version of the definitions of the European Payments Council (EPC) (www.europeanpaymentscouncil.eu). The list of financial institutions participating in the process is also published on the EPC website.

1.3 Benefits

The international application of ISO 20022 (XML) offers participants in the market a number of advantages which will help the standard to become established (see the initiatives by EPC, SWIFT etc.). Especially in terms of electronic interfaces, XML format is widely established and is well-known among software providers.

The international use of a common standard for electronic payment transactions and for Cash Management Reporting opens up tremendous potential benefits for all parties involved, including

- the possibility (optional) of supporting complex order types
- standard message types (less complex development, maintenance and updating work required by software partners)
- standardised validation processes, i.e. the same quality standards can be applied to orders by all financial institutions. This increases flexibility, for example in working with more than one financial institution.
- standardised status and error codes (simpler communication with support centres, regardless of software provider or financial institution)
- standardised bank transaction codes (simpler identification of account movements beyond institutional boundaries)
- end-to-end customer references (with more characters than are used today). This enables automation with regard to debtors and creditors.
- fewer processing errors (rejects) thanks to consistent message standards
- use of a common nomenclature and terminology among participants in the market.
- support for the SEPA scheme used in Europe and for the ISO 20022 standard
- greater flexibility if messages need to be extended, thanks to use of the XML format (compared with the fixed length message type in widespread use today)
- reduction in some of the present shortcomings:
 - different parameters and processing rules for submitting orders
 - different message validation processes, status and error messages
 - proprietary business transaction codes used in reporting by particular financial institutions

1.4 Reference documents

Ref	Document	Title	Source
	Base documents		
[1]	Payments Maintenance 2009	Message Definition Report, Approved by the Payments SEG on 30 March 2009, Edition September 2009	ISO
[2]	pain.001.001.03	XML Schema CustomerCreditTransferInitiationV03	ISO
[3]	pain.008.001.02	XML Schema CustomerDirectDebitInitiationV02	ISO
[4]	pain.002.001.03	XML Schema PaymentStatusReportV03	ISO
[5]	camt.052.001.02 camt.052.001.04	BankToCustomerAccountReportV02 BankToCustomerAccountReportV04	ISO
[6]	camt.053.001.02 camt.053.001.04	BankToCustomerStatementV02 BankToCustomerStatementV04	ISO
[7]	camt.054.001.02 camt.054.001.04	BankToCustomerDebitCreditNotificationV02 BankToCustomerDebitCreditNotificationV04	ISO
[8]	EPC125-05	SEPA Credit Transfer Scheme Rulebook 2021 Version 1.0	EPC
[9]	EPC132-08	SEPA Credit Transfer Scheme Customer-to-Bank Implementation Guidelines 2021 Version 1.0	EPC
[10]	EPC016-06	SEPA Direct Debit Core Scheme Rulebook 2021 Version 1.0	EPC
[11]	EPC130-08	SEPA Direct Debit Core Scheme Customer-to-PSP Implementation Guidelines 2021 Version 1.0	EPC
[12]	EPC222-07	SEPA Direct Debit Business-to-Business Scheme Rulebook 2021 Version 1.0	EPC
[13]	EPC131-08	SEPA Direct Debit Business-to-Business Scheme Customer-to-PSP Implementation Guidelines 2021 Version 1.0	EPC
[14]	Implementation Guidelines for Credit Transfer	Swiss Implementation Guidelines for Customer-Bank Messages Credit Transfer (Payment Transactions)	SIX Interbank Clearing
[15]	Implementation Guidelines for Swiss Direct Debit	Swiss Implementation Guidelines for Customer-Bank Messages for the Swiss direct debit procedure	SIX Interbank Clearing
[16]	Implementation Guidelines for SEPA Direct Debit	Swiss Implementation Guidelines for Customer-Bank Messages for the SEPA Direct Debit Scheme	SIX Interbank Clearing

Ref	Document	Title	Source
[17]	Implementation Guidelines for Cash Management	Swiss Implementation Guidelines for Bank-Customer Messages (Reports)	SIX Interbank Clearing
[18]	Implementation Guidelines for Status Report	Swiss Implementation Guidelines for Customer-Bank Messages Status Report	SIX Interbank Clearing
[19]	Swiss Implementation Guidelines QR-bill	Swiss Implementation Guidelines QR-bill – Technical and professional specifications of the payment part with Swiss QR Code	SIX Interbank Clearing
Additional documents			
[20]	Standards Cash Management Message Reference Guide	Cash Management for Standards MX Message Reference Guide, 24 July 2009	SWIFT

Table 1: Reference documents

1.5 Interface versions

The plan is to publish one "major" new version of the Swiss Payment Standards every year (if necessary), each February. The published definitions will be supported by all financial institutions from November (deadline is the date of the SIC/SWIFT Release).

The Swiss financial institutions guarantee the following interface compatibility: that they will support the latest "Major" version of the Business Rules and Implementation Guidelines published by SIX Interbank Clearing plus the preceding version (i.e. always the two most recent "Major" Guideline versions in parallel).

In addition to the annual "major" versions, "minor" versions of guidelines may be published to allow for corrections, clarifications and additions.

Comment: If the customer delivers an order file in the latest XML schema version, then he will receive the Status Report in the same XML schema version. If the file is delivered in the previous version, the Status Report will also be sent back in the previous version. Mixing the XML schema versions is not possible. A response to a version which is no longer supported will be sent in the oldest supported version.

1.6 Links to the relevant Internet pages

Organisation	Link
ISO	www.iso20022.org
EPC	www.europeanpaymentscouncil.eu
SIX	www.iso-payments.ch www.sepa.ch www.six-group.com/interbank-clearing
SWIFT	www.swift.com
PostFinance	www.postfinance.ch/epo

Table 2: Links to Internet pages

1.7 End of ISR/IS process on 30.09.2022

On 19 January 2021, PostFinance announced that it had set the end date for the orange (ISR) and red (IS) inpayment slips for 30.09.2022. As a result, these inpayment slips are definitively replaced by the QR-bill.

On the basis of this announcement by PostFinance, the relevant conditions for the two payment types with the XML message "Customer Credit Transfer Initiation" (pain.001) and the respective process are only valid until and with 30.09.2022. Irrespective of how the order is issued, such payments can be accepted only with an execution date up to the reference date agreed upon.

In Cash Management, the delivery of receipts from ISR and IS (e.g. "camt.053" and "camt.054") are possible until the SIC release in November 2022.


The conditions regarding the simultaneous support of two major versions according to section 1.5 therefore do not apply to the ISR/IS process from 2022.

2 Business situations


2.1 Credit Transfer Initiation


The following tables group the business situations that may arise in payment traffic in Switzerland into various payment types. These payment types are subdivided into domestic and foreign transfers and payments with no creditor institution (cheques).

The colours and definitions used in the tables are as follows:

 Type of transaction

[1] Payment type number. The business situation is assigned to a payment type as described in the Implementation Guidelines.

 Payment slips (paying-in slips, cheques)

 Debtor (DEB, ordering party) details

 Creditor (CR, beneficiary) details

2.1.1 Transfers to a financial institution in Switzerland

	Orange payment slip (ISR) in CHF & EUR [1]	Red payment slip (IS) in CHF & EUR [2]	Bank or postal payment in CHF & EUR [3]	Bank or postal payment in foreign currency excl. CHF & EUR* [4]
Payment slip	<ul style="list-style-type: none"> ISR to credit postal account (1-stage slip) ISR to credit bank account (2-stage slip) Only admitted until 30.09.2022	<ul style="list-style-type: none"> IS to credit postal account (1-stage slip) [2.1] IS to credit bank with IBAN (or bank account) (2-stage slip) [2.2] Only admitted until 30.09.2022	<ul style="list-style-type: none"> No payment slip 	<ul style="list-style-type: none"> No payment slip Poss. IPI slip (to provide information)
Surname/first name, debtor's address	Mandatory			
Debtor's account number	<ul style="list-style-type: none"> Presented to bank: IBAN (in exceptional cases the bank account no. is allowed) Presented to PostFinance: IBAN or postal account 			
Debtor's financial institution	IID or domestic BIC allowed			
Surname/first name, creditor's address	Optional	Mandatory	Mandatory	Mandatory

	Orange payment slip (ISR) in CHF & EUR [1]	Red payment slip (IS) in CHF & EUR [2]	Bank or postal payment in CHF & EUR [3]	Bank or postal payment in foreign currency excl. CHF & EUR* [4]
Creditor's account number	ISR participant number	<ul style="list-style-type: none"> 1-stage slip: postal account 2-stage slip: <ul style="list-style-type: none"> – IBAN (or bank account) – For optical reading of the "IS Bank": 27 positions from the 1st line of the encoding line (pos. 18-44) 	<ul style="list-style-type: none"> Bank payments: IBAN (in exceptional cases the bank account no. is allowed) Postal payments: IBAN or postal account QR-IBAN 	<ul style="list-style-type: none"> Bank payments: IBAN (in exceptional cases the bank account no. is allowed) Postal payments: IBAN or postal account
Creditor's financial institution	Not allowed	<ul style="list-style-type: none"> 1-stage slip: this field remains blank 2-stage slip: <ul style="list-style-type: none"> – IID – IID and postal account no. of the bank – postal account no. of the bank and name of the bank 	IID (or domestic BIC) Creditor's financial institution is not necessary where the IBAN/QR-IBAN (CH/LI) is given in the Creditor Account.	Domestic BIC (or name and address of the financial institution) or if available national bank code (IID). Creditor's financial institution is not necessary where the IBAN/QR-IBAN (CH/LI) is given in the Creditor Account.
Payment currency	CHF or EUR	CHF and EUR	CHF and EUR	Foreign currencies* (i.e. all except CHF and EUR)
Execution date	Mandatory			
Fees	Can be used	Can be used	Can be used	<ul style="list-style-type: none"> SHA OUR BEN
Reference number, notification to creditor	ISR reference <ul style="list-style-type: none"> Structured: Creditor Reference 	<ul style="list-style-type: none"> Unstructured: notification/payment purpose 	<ul style="list-style-type: none"> Unstructured: notification/payment purpose Structured: Creditor Reference and purpose 	
Notification to debtor's financial institution	To be used only by agreement with the financial institution	To be used only by agreement with the financial institution	To be used only by agreement with the financial institution	To be used only by agreement with the financial institution
Notification to creditor's financial institution	Not allowed	Not allowed	Not allowed	Possible

Table 3: Transactions going to a financial institution in Switzerland

2.1.2 Transfers to a financial institution abroad

	SEPA transfer [5]	All currencies* (SWIFT) [6]
Payment slip	<ul style="list-style-type: none"> No payment slip IPI slip (to provide information) 	<ul style="list-style-type: none"> No payment slip IPI slip (to provide information)
Surname/first name, debtor's address	Mandatory	
Debtor's account number	<ul style="list-style-type: none"> IBAN 	<ul style="list-style-type: none"> IBAN (in exceptional cases the bank/postal account no. is allowed)

	SEPA transfer [5]	All currencies* (SWIFT) [6]
Debtor's financial institution	Only IID or domestic BIC allowed	
Surname/first name, creditor's address	Mandatory	
Creditor's account number	IBAN	IBAN or bank account (always use IBAN in Europe)
Creditor's financial institution	BIC SEPA It is no longer necessary to enter the Creditor Agent for SEPA payments (payment type 5). If both the IBAN and the BIC are sent, then the Creditor Agent can be worked out from the IBAN when the payment is executed.	<ul style="list-style-type: none"> • BIC International • Name and address of the financial institution and where available national bank code (e.g. Fedwire). (always use BIC in Europe)
Payment currency	EUR	All*
Execution date	Mandatory	
Fees	SLEV (share)	<ul style="list-style-type: none"> • SHA • OUR • BEN
Reference number, notification to creditor	<ul style="list-style-type: none"> • Unstructured: notification/payment purpose • Structured: only Creditor Reference 	<ul style="list-style-type: none"> • Unstructured: notification/payment purpose • Structured: Creditor Reference and purpose
Notification to debtor's financial institution	To be used only by agreement with the financial institution	Possible
Notification to creditor's financial institution	Not allowed	Possible

Table 4: Transactions going to a financial institution abroad

2.1.3 Payments not involving a financial institution in Switzerland or abroad

	Bank cheque/Postcash domestic and foreign in all currencies* [8]
Payment slip	Bank cheque is sent to the CR
Surname/first name, debtor's address	Mandatory
Debtor's account number	<ul style="list-style-type: none"> • Presented to bank: IBAN (in exceptional cases the bank account no. is allowed) • Presented to PostFinance: IBAN or postal account
Debtor's financial institution	Only IID or domestic BIC allowed
Surname/first name, creditor's address	Mandatory
Creditor's account number	No details
Creditor's financial institution	No details
Payment currency	All
Execution date	Mandatory

Bank cheque/Postcash domestic and foreign in all currencies* [8]	
Fees	<ul style="list-style-type: none"> • SHA • OUR • BEN
Reference number, notification to creditor	<ul style="list-style-type: none"> • Structured: Creditor Reference and purpose • Unstructured: notification/payment purpose
Notification to debtor's financial institution	Possible
Notification to creditor's financial institution	Not allowed

Table 5: Transactions not involving a financial institution in Switzerland or abroad

The individual payment types for the Swiss Payment Standards are those supported in the ISO 20022 "pain.001" message.

Comment: For SEPA payments, EPC definitions have been taken into account.

***Note:** The actual range of currencies that are supported is to be clarified with the respective financial institution.

Note: It is up to the financial institutions whether they offer the "Bank cheque/Postcash domestic and foreign in all currencies* [8]" payment type. The range of payment types that are actually available is described in institute-specific descriptions of services.

2.1.4 Restriction of validity for ISR/IS

Orange (ISR) and red inpayment slip (IS) only admitted until 30.09.2022

On the basis of the announcement by PostFinance to end the usage of the orange inpayment slip (ISR) [payment type 1] and the red inpayment slip (IS) [payment type 2] by 30.09.2022, the relevant conditions for the two payment types with the XML message "Customer Credit Transfer Initiation" (pain.001) only apply until and with 30.09.2022.

From 01.10.2022, financial institutions can reject orders with payment types 1 and 2. The conditions according to section 1.5 regarding the simultaneous support of two major versions do not apply to payment types 1 and 2.

2.1.5

QR-bill

The payment part of the QR-bill replaces the currently used orange and red inpayment slips

See Swiss Implementation Guidelines QR-bill [19].

A bill can be described as a "QR-bill" if it includes a payment part with a Swiss QR code.

The Swiss QR code contains the necessary data for executing a payment using ISO 20022 "pain.001", payment type 3. The mapping of the data in the Swiss QR code in a "pain.001" is described in the Appendix C "Mapping the Swiss QR code in the payment part of the QR-bill in pain.001" of the "Implementation Guidelines for Credit Transfer" [14].

The QR-IBAN is an account number which must be used to indicate the account to be credited, in the case of payments with a QR reference. In format, the structure of this IBAN complies with the rules under ISO 13616.

The QR reference is a structured reference entered by the biller in the payment part of the QR-bill and corresponds in its structure to the ISR reference.

In addition to the QR reference, the payment part of the QR-bill can also contain an ISO reference (in accordance with ISO 11649) as a structured reference.

2.2 Direct Debit Initiation

2.2.1 Direct Debit Initiation for the SEPA direct debit procedure

Based on the EPC recommendations for using the Customer Direct Debit Initiation message (ISO 20022 message "pain.008"), a version of the SEPA Direct Debit (Core and B2B) Scheme has been defined for Switzerland. This is an additional procedure and message type for collecting direct debits in the SEPA area, or for debiting collections from outside the SEPA area.

2.2.2 Direct Debit Initiation for the Swiss direct debit procedure

Based on the LSV⁺/BDD procedure and the "CH-DD" procedure, some financial institutions support the submission of direct debits using the ISO 20022 message "pain.008". The definition of the "pain.008" message that is used has been harmonized as far as possible and comprises the following versions:

- Version 1 for the CH-DD direct debit procedure and
- Version 2 for the LSV⁺/BDD procedure

Some financial institutions will only offer collection of direct debits using the ISO 20022 standard at a later date.

2.3 Cash Management messages

Cash Management messages are used for reporting. Swiss financial institutions can offer the following message types:

ISO 20022 message	Application	SWIFT MT
camt.052	Bank to Customer Account Report (intra-day account transactions)	MT942, MT941
camt.053	Bank to Customer Statement (end-of-day account statement)	MT940, MT950
camt.054	Bank to Customer Debit/Credit Notification (debit/credit notification)	MT900, MT910

Table 6: Cash Management messages

3 Message structure and summary

3.1 Summary of message flow

The following chart shows the parties involved and the message flows relating to payment orders under ISO 20022.

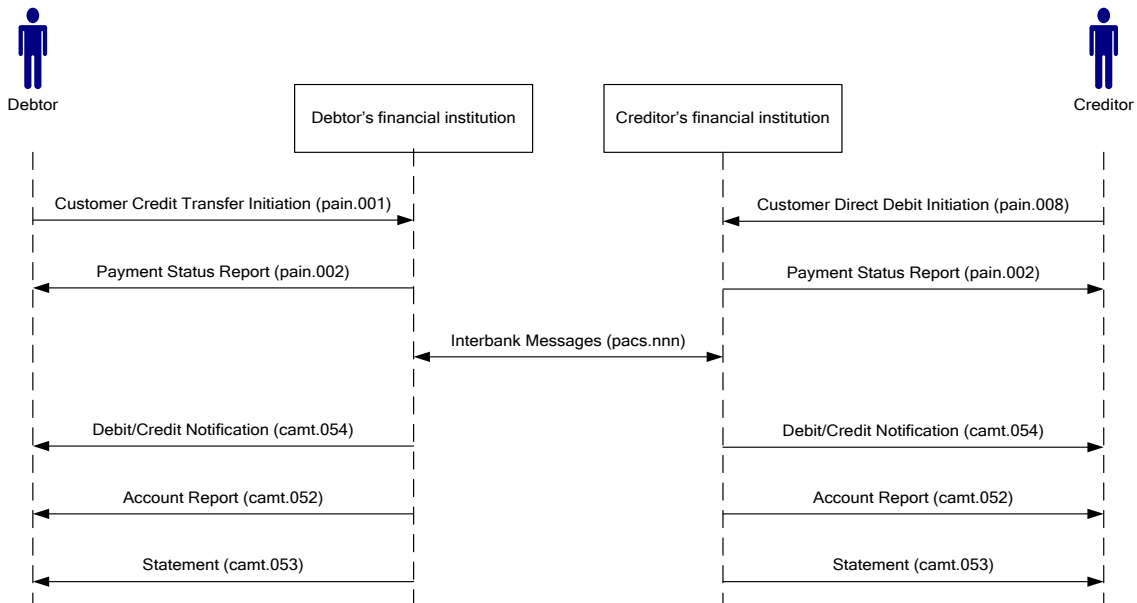


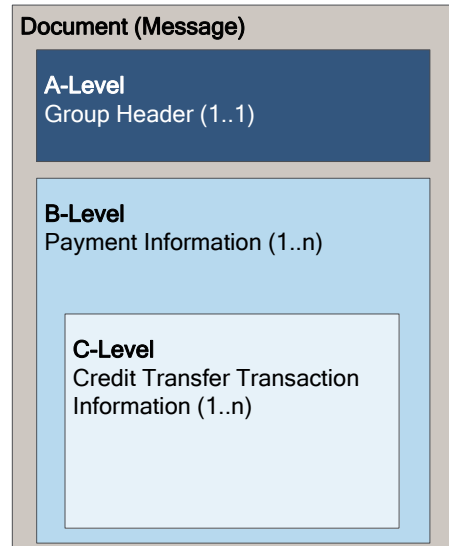
Figure 1: Payment orders under ISO 20022

This document describes the Business Rules for all messages from the customer to their financial institution and vice versa. Interbank messages (pacs.nnn) do not form part of this description.

<input checked="" type="checkbox"/> AOS	Additional Optional Service		Explanation
	Additional participants (e.g. in a multi-banking scenario)		The following table shows the additional participants.
	Participant	Synonym	Description
	Forwarding Agent	Multi-banking provider	Third-party bank is specified in Debtor Agent element. E.g.: payment order sent to ZKB as the multi-bank provider with UBS as the debtor account
Intermediary	Correspondent bank B	E.g.: financial institution A makes a transfer via correspondent bank B to financial institution C.	

3.2 Message structure Customer Credit Transfer Initiation

The message is used on the basis of the ISO 20022 XML schema "pain.001.001.03".



The message is structured as follows:

- **A-Level:** message level, Group Header
- **B-Level:** debtor side (debit side), Payment Information, information from the debtor (payer, DEB)
- **C-Level:** creditor side (credit side), Credit Transfer Transaction Information, information for the creditor (payee, CR)

Figure 2: Message structure Customer Credit Transfer Initiation

Level	Message item	Multiplicity
A.	Group Header	[1...1]
	Message Identification	[1...1]
	Creation Date Time	[1...1]
+	Authorisation	[0...2]
	Number Of Transactions	[1...1]
	Control Sum	[0...1]
+	Initiating Party	[1...1]
+	Forwarding Agent	[0...1]
B.	Payment Information	[1...n]
	Payment Information Identification	[1...1]
	Payment Method	[1...1]
	Batch Booking	[0...1]
	Number Of Transactions	[0...1]
	Control Sum	[0...1]
+	Payment Type Information	[0...1]
	Requested Execution Date	[1...1]
	Pooling Adjustment Date	[0...1]
+	Debtor	[1...1]
+	Debtor Account	[1...1]
+	Debtor Agent	[1...1]
+	Debtor Agent Account	[0...1]
+	Ultimate Debtor	[0...1]

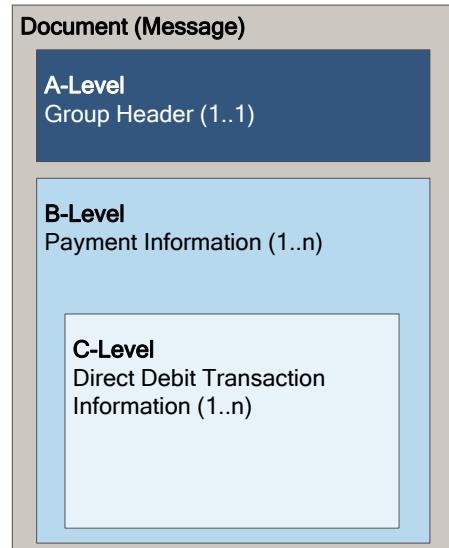
Level	Message item	Multiplicity
	Charge Bearer	[0...1]
+	Charges Account	[0...1]
+	Charges Account Agent	[0...1]
C.	Credit Transfer Transaction Information	[1...n]
+	Payment Identification	[1...1]
+	Payment Type Information	[0...1]
+	Amount	[1...1]
+	Exchange Rate Information	[0...1]
	Charge Bearer	[0...1]
+	Cheque Instruction	[0...1]
+	Ultimate Debtor	[0...1]
+	Intermediary Agent1	[0...1]
+	Intermediary Agent1 Account	[0...1]
+	Intermediary Agent2	[0...1]
+	Intermediary Agent2 Account	[0...1]
+	Intermediary Agent3	[0...1]
+	Intermediary Agent3 Account	[0...1]
+	Creditor Agent	[0...1]
+	Creditor Agent Account	[0...1]
+	Creditor	[0...1]
+	Creditor Account	[0...1]
+	Ultimate Creditor	[0...1]
+	Instruction For Creditor Agent	[0...n]
+	Instruction For Debtor Agent	[0...1]
+	Purpose	[0...1]
+	Regulatory Reporting	[0...10]
+	Tax	[0...1]
+	Related Remittance Information	[0...10]
+	Remittance Information	[0...1]

Table 7: Key elements of Customer Credit Transfer Initiation

The detailed rules are described in section 4 "Customer Credit Transfer Initiation".

3.3 Message structure Customer Direct Debit Transfer Initiation

The message is used on the basis of the ISO 20022 XML schema "pain.008.001.02".



The message is structured as follows:

- A-Level: message level, Group Header
- B-Level: creditor side (credit side), Payment Information
- C-Level: debtor side (debit side), Direct Debit Transaction Information

Figure 3: Message structure Customer Direct Debit Initiation

Level	Message item	Multiplicity
A.	Group Header	[1...1]
	Message Identification	[1...1]
	Creation Date Time	[1...1]
+	Authorisation	[0...2]
	Number Of Transactions	[1...1]
	Control Sum	[0...1]
+	Initiating Party	[1...1]
+	Forwarding Agent	[0...1]
B.	Payment Information	[1...n]
	Payment Information Identification	[1...1]
	Payment Method	[1...1]
	Batch Booking	[0...1]
	Number Of Transactions	[0...1]
	Control Sum	[0...1]
+	Payment Type Information	[0...1]
	Requested Execution Date	[1...1]
	Pooling Adjustment Date	[0...1]
+	Creditor	[1...1]
+	Creditor Account	[1...1]
+	Creditor Agent	[1...1]
+	Creditor Agent Account	[0...1]
+	Ultimate Creditor	[0...1]

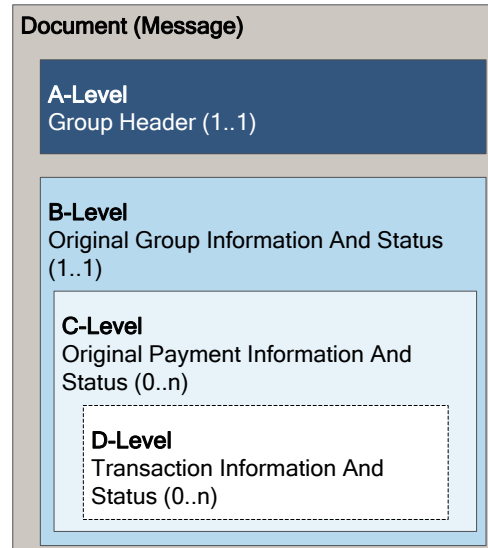
Level	Message item	Multiplicity
	Charge Bearer	[0...1]
+	Charges Account	[0...1]
+	Charges Account Agent	[0...1]
+	Creditor Scheme Identification	[0...1]
C.	Direct Debit Transaction Information	[1...n]
+	Payment Identification	[1...1]
+	Payment Type Information	[0...1]
+	Instructed Amount	[1...1]
	Charge Bearer	[0...1]
+	Direct Debit Transaction	[0...1]
+	Ultimate Creditor	[0...1]
+	Debtor Agent	[0...1]
+	Debtor Agent Account	[0...1]
+	Debtor	[0...1]
+	Debtor Account	[0...1]
+	Ultimate Debtor	[0...1]
+	Instruction For Creditor Agent	[0...n]
+	Purpose	[0...1]
+	Regulatory Reporting	[0...10]
+	Tax	[0...1]
+	Related Remittance Information	[0...10]
+	Remittance Information	[0...1]

Table 8: Key elements of Customer Direct Debit Initiation

The detailed rules are described in section 5 "Customer Direct Debit Initiation".

3.4 Message structure Payment Status Report

The message is used on the basis of the ISO 20022 XML schema "pain.002.001.03".



The message is structured as follows:

- A-Level: message level, Group Header
- B-Level: information about the payment group, Original Group Information And Status
- C-Level: information about specific payment groups (B-Level), Original Payment Information And Status
- D-Level: information about specific transactions (C-Level), Transaction Information And Status

Figure 4: Message structure Payment Status Report

Level	Message item	Multiplicity
A	Group Header	[1..1]
	Message Identification	[1..1]
	Creation Date Time	[1..1]
+	Initiating Party	[0..1]
+	Forwarding Agent	[0..1]
+	Debtor Agent	[0..1]
+	Creditor Agent	[0..1]
B	Original Group Information And Status	[1..1]
	Original Message Identification	[1..1]
	Original Message Name Identification	[1..1]
	Original Creation Date Time	[0..1]
	Original Number Of Transactions	[0..1]
	Original Control Sum	[0..1]
	Group Status	[0..1]
+	Status Reason Information	[0..n]
+	Number Of Transactions Per Status	[0..n]
C	Original Payment Information And Status	[0..n]
+	Original Payment Information Identification	[1..1]
+	Original Number Of Transactions	[0..1]
+	Original Control Sum	[0..1]

Level	Message item	Multiplicity
+	Payment Information Status	[0..1]
+	Status Reason Information	[0..n]
+	Number Of Transactions Per Status	[0..n]
D	Transaction Information And Status	[0..n]
	Status Identification	[0..1]
+	Original Instruction Identification	[0..1]
+	Original End To End Identification	[0..1]
+	Transaction Status	[0..1]
+	Status Reason Information	[0..n]
+	Charges Information	[0..n]
+	Acceptance Date Time	[0..1]
+	Account Service Reference	[0..1]
+	Clearing System Reference	[0..1]
+	Original Transaction Reference	[0..1]

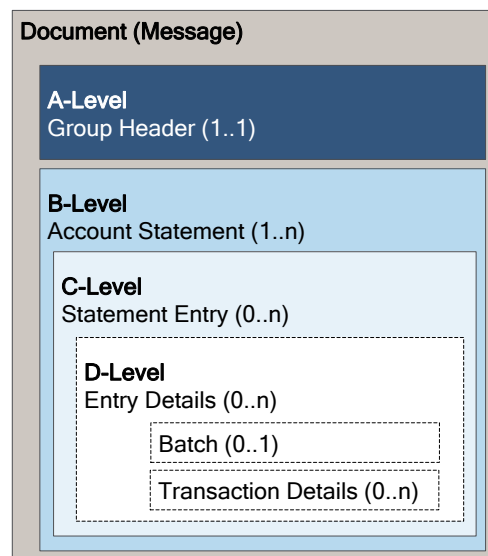
Table 9: Key elements of Payment Status Report

3.5 Message structure Cash Management messages

The messages "camt.052" Account Report, "camt.053" Statement and "camt.054" Debit/ Credit Notification are used for reporting. They are used on the basis of the ISO 20022 XML schemas, either from ISO Release 2009 (as in SEPA) as "camt.052.001.02", "camt.053.001.02" and "camt.054.001.02" or from ISO Release 2013 as "camt.052.001.04", "camt.053.001.04" and "camt.054.001.04".

Swiss financial institutions support the "camt" version .04 (ISO Release 2013); some of them also support the "camt" version .02 (ISO Release 2009).

The Swiss Payment Standards are based on "camt" version .04.



The message is structured as follows:

- A-Level: message level, Group Header
- B-Level: account level, Account Statement
- C-Level: amount level, Statement Entry
- D-Level: amount details, Entry Details

Figure 5: Message structure Cash Management messages

Comment: In what follows, the message "camt.053.001.04" (Statement, end-of-day statement) is described first, because this is the most frequently used message in Switzerland. For the "camt.052" (Account Report, intraday account transactions) and "camt.054" (Debit/Credit Notification) messages, only the variations are described.

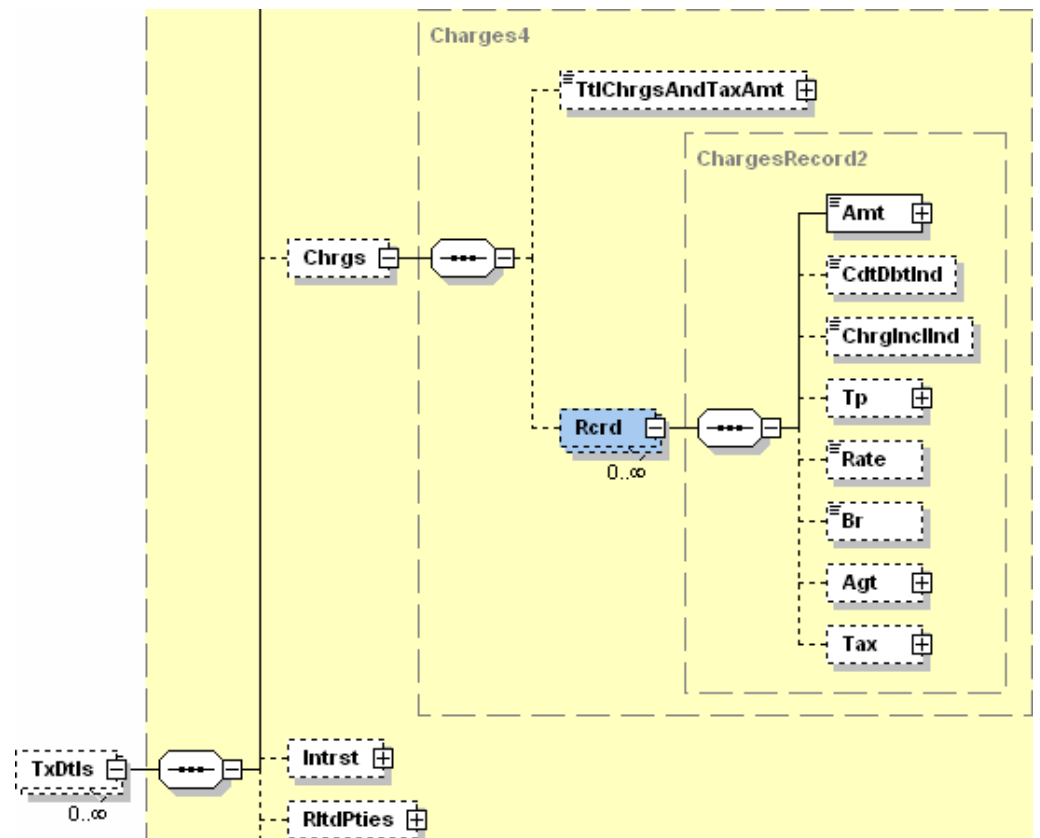
Level	Message item	Multiplicity
A	Group Header	[1...1]
	Message Identification	[1...1]
	Creation Date Time	[1...1]
+	Message Recipient	[0...1]
	Message Pagination	[0...1]
	Page Number	[1...1]
	Last Page Indicator	[1...1]
	Additional Information	[0...1]
B	Statement	[1...n]
	Identification	[0...1]
	Electronic Sequence Number	[0...1]
	Legal Sequence Number	[0...1]

Level	Message item	Multiplicity
	Creation Date Time	[1...1]
+	From To Date	[0...1]
	From Date Time	[1...1]
	To Date Time	[1...1]
	Copy Duplicate Indicator	[0...1]
+	Account	[1...1]
+	Related Account	[0...1]
+	Interest	[0..n]
+	Balance	[1...n]
+	Transaction Summary	[0...1]
C	Entry	[0..n]
	Entry Reference	[0..1]
	Amount	[1..1]
	Credit Debit Indicator	[1..1]
	Reversal Indicator	[0..1]
	Status	[1..1]
+	Booking Date	[0..1]
+	Value Date	[0..1]
	Account Service Reference	[0..1]
+	Availability	[0..n]
+	Bank Transaction Code	[1..1]
	Commission Waiver Indicator	[0..1]
+	Additional Information Indicator	[0..1]
+	Amount Details	[0..1]
+	Charges	[0..n]
+	Technical Input Channel	[0..n]
+	Interest	[0..n]
D	Entry Details	[0...n]
+	Batch	[0..n]
	Transaction Details	[0..n]
+	References	[0...1]
+	Amount Details	[0...1]
+	Availability	[0...1]
+	Bank Transaction Code	[0...1]
+	Charges	[0...n]
+	Interest	[0...n]
+	Related Parties	[0...1]
+	Related Agents	[0...1]
+	Purpose	[0...1]
+	Related Remittance Information	[0...10]
+	Remittance Information	[0...1]
+	Related Dates	[0...1]

Level	Message item	Multiplicity
+	Related Prices	[0..1]
+	Related Quantities	[0..n]
+	Financial Instrument Identification	[0..1]
+	Tax	[0..1]
+	Return Information	[0..1]
+	Corporate Action	[0..1]
+	Safekeeping Account	[0..1]
	Additional Transaction Information	[0..1]
	Additional Entry Information	[0..1]
	Additional Entry Information	[0..1]

Table 10: Key elements of Cash Management message "camt.053"

The ISO version "camt.053.001.04" of "camt" messages also supports a new element called "Record" under "Transaction Details/Charges" which gives details of the fees:



This section is mainly used with ISR credits where Batchbooking=TRUE for:

- ISR Type 3: Prices for in-payments/follow-on processing of ISR+
- ISR Type 4: Charges

4 Customer Credit Transfer Initiation

4.1 Principles of message structure

4.1.1 Treatment of B- and C-Level in Customer Credit Transfer

Within messages (A-Level, document) B- and C-Level are interpreted as follows in Customer Credit Transfer:

- B-Level: Payment Level – details of the ordering party (debtor, DEB) and instructions to the financial institution carrying out the transaction
- C-Level: Transaction Level – details for the creditor (creditor, CR) and instructions to the receiving financial institution

4.1.2 Inheritance of instructions

All instructions that are defined at B-Level automatically apply also to all associated C-levels. Elements which are permitted on more than one level can only be defined on one level (i.e. either at B- **or** C-Level). This is in line with the ISO 20022 rule.

Example: Element Category Purpose <CtgyPurp>: If the instruction SALA exists at B-Level, then **all** C-Levels are automatically also interpreted as SALA.

Further application information can also be found in section 4.5 "Instructions (Payment Instruments)".

4.1.3 Elements which have no relevance to the Swiss Payment Standards

Elements which are not described in the Business Rules and Implementation Guidelines for the Swiss Payment Standards must not be used without consulting the financial institution (using such elements will lead to the whole message being rejected at the schema validation stage). In certain cases, an AOS (Additional Optional Service) can be agreed with financial institutions for a specific element, which is only processed within that financial institution.

4.2 Grouping of payments

Within a message (a Credit Transfer Initiation), payments can be grouped according to various criteria. All those payments (C-Level) can be grouped in a Payment Information (B-Level) which have certain common features, e.g. the same date of execution (Requested Execution Date).

4.2.1 Survey

Essentially there are three possible ways in which payments at B-Level could be grouped. In addition to the rules under the ISO standard, some of the conditions in these Business Rules and the Implementation Guidelines also affect the structuring of B- and C-Level. These are described below.

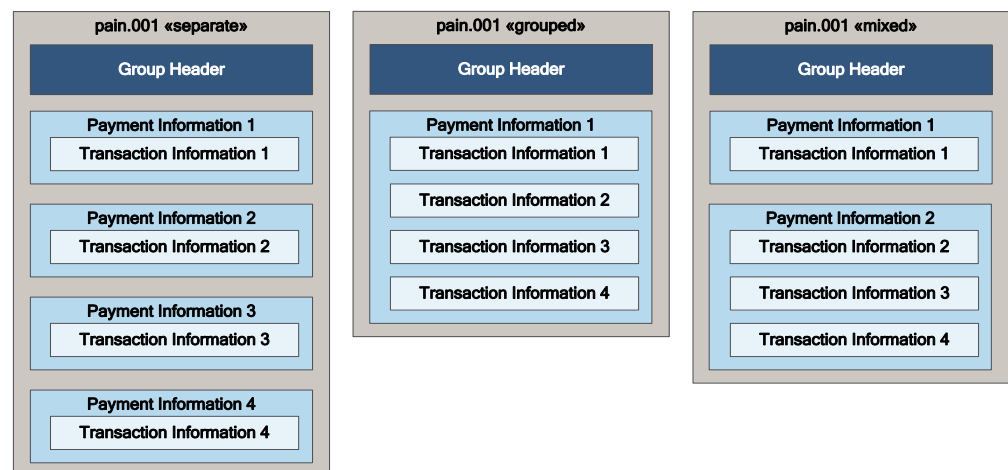


Figure 6: Grouping versions ("separate", "grouped", "mixed")

Version	Description
separate	Each B-Level contains exactly one C-Level. In this version, the elements at B-Level are repeated for every C-Level, even if they are identical. This structure generally has the effect that all payments are executed and booked separately.
grouped	The message contains only a single B-Level. All the elements that can be delivered at B-Level are only used once per message, so this is the version that takes up the least space. However, it presupposes that the information in the "Payment Type Information", "Ultimate Debtor" and "Charge Bearer" elements is the same for all payments.
mixed	More than one B-Level is used with one or more C-Levels. This structure allows for collective booking of separate C-Levels for each B-Level (one booking per B-Level). This is the most frequently used structure.

Table 11: Grouping versions ("separate", "grouped", "mixed")

4.2.2 Forming groups

Payments for which all elements of the B-Level are identical can be grouped together in one B-Level (for elements of the B-Level see section 3.2, or the Implementation Guidelines).

The following elements can be used either at B- or C-Level but not simultaneously at B- and C-Level. If these elements (including the sub-elements) are the same, they can be delivered at B-Level and the C-Levels grouped within that B-Level.

- Payment Type Information (for details see section 4.2.3)
- Ultimate Debtor
- Charge Bearer

4.2.3 Grouping based on "Payment Type Information"

The sub-elements "Instruction Priority" and "Category Purpose" are only taken into consideration when used at B-Level. Their use therefore always leads to a separate B-Level. If the two elements are the same in two C-Levels, they can be grouped into one B-Level, if the C-Levels allow this.

- Payment Type Information/Instruction Priority
- Payment Type Information/Category Purpose

Consequently, the following sub-elements must also be the same, because they must also be delivered at B-Level with the "Payment Type Information" component.

- Payment Type Information/Service Level
- Payment Type Information/Local Instrument

Group forming rule: For all payments (C-Level) in which "Instruction Priority" or "Category Purpose" needs to be used, a separate B-Level needs to be formed for each combination of "Instruction Priority", "Category Purpose", "Service Level" and "Local Instrument".

4.3 Booking information (Batch Booking)

The Batch Booking element <BtchBookg> controls whether a batch booking or an individual booking is to be made by the financial institution:

- TRUE: One batch booking is made for each Payment Information (B). For each B-Level, the currency and the "Charging Option" and "Instruction Priority" elements must be the same.
- FALSE: One separate booking is made per Credit Transfer Transaction Information (C).

If the element is not sent, the booking is handled as if it were TRUE.

4.3.1 Use of Batch Booking in Switzerland

The instruction BatchBooking TRUE leads to a batch booking irrespective of the number of transactions (Level C) in one batch booking (Level B).

This has the effect that this batch booking can be displayed in a batch booking resolution (depending on the offer of the financial institution and the settings of the base data), for example for automatic or manual creditor reconciliation.

For further information see section 4.7 "Controlling the debit advice (Debtor Account Type)".

FALSE produces a separate booking for each Transaction Information (C):

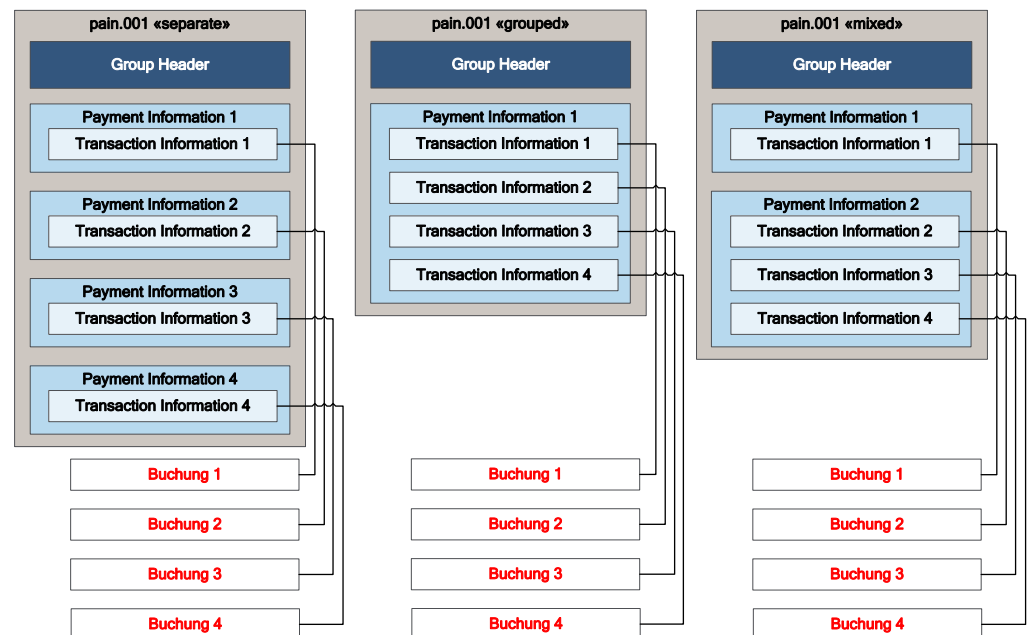


Figure 7: Batch Booking FALSE

TRUE produces a batch booking for each B-Level, wherever possible (provided that the currency, charging options etc. are the same):

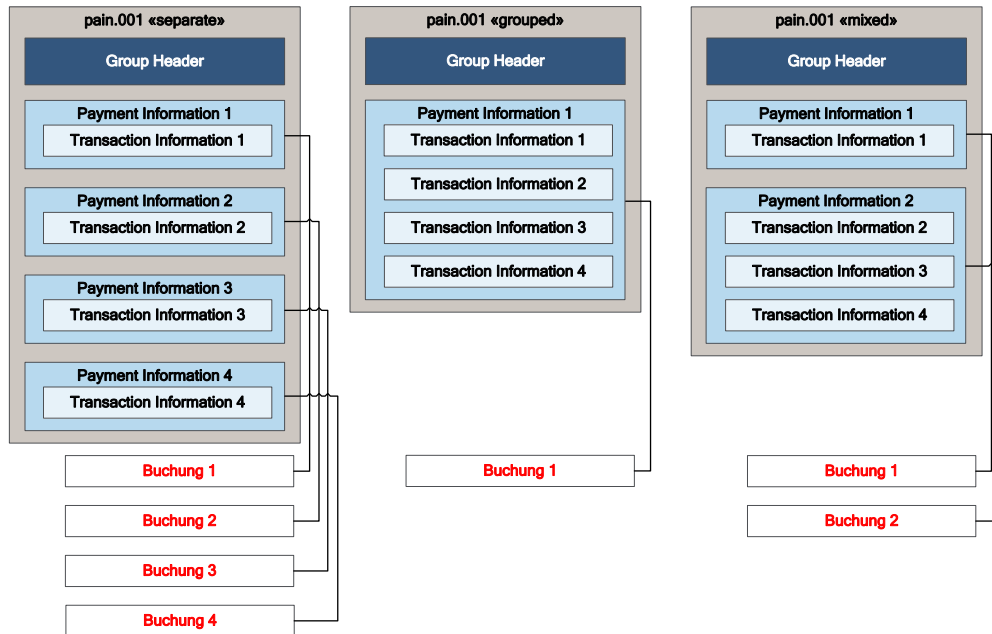


Figure 8: Batch Booking TRUE

The messages are validated accordingly and rejected if there are errors.

Comment: The information in the Batch Booking element is not an "order", but a request/enquiry from the customer to the financial institution, with which the financial institution will comply as far as possible. Implicitly, using this element also affects other notifications, e.g. in the form of paper or electronic account statements.

4.4 Customer Credit Transfer Initiation references

From the point of view of the customer (creator of the "pain.001"), the following references from the Customer Credit Transfer Initiation message "pain.001" for ISO notification messages (debit/credit "camt.054") and for ISO statement messages (camt.052/053) are relevant during reconciliation and for the Status Report (pain.002):

Level	ISO Index	Reference	ISO Definition Usage	Status	Description according to the Swiss Payment Standards	Use (when the reference is sent)		
						pain.002	camt.052/053/054	Interbank
A	1.1	Message Identification	Sent to the next party in the chain to unambiguously identify the message.	M	Most financial institutions check that this is unique for a period of at least 90 days. It is recommended that the "Message Identification" is normally kept unique for as long as possible.		Identifies the A-Level from the original message.	Is not forwarded.
B	2.1	Payment Information Identification	Identifies unambiguously the payment information group within the message.	M	This value must be unique within the whole message.	Identifies the B-Level from the original message.	Identifies the B-Level from the original message, corresponds to the customer's booking reference at B-Level.	Is not forwarded.
C	2.28	Payment Identification	Identifies unambiguously the instruction.	M	Recommendation: should be used and kept unique within B-Level.	Identifies the C-Level (technical transaction reference).	Identifies the C-Level from the original message.	Is not forwarded.
	2.29	+Instruction Identification	Usage: the instruction identification is a point to point reference that can be used between the instructing party and the instructed party to refer to the individual instruction.	R				

Level	ISO Index	Reference	ISO Definition Usage	Status	Description according to the Swiss Payment Standards	Use (when the reference is sent)		
						pain.002	camt.052/053/054	Interbank
C	2.28	Payment Identification	Identifies unambiguously the transaction.	M	This is the reference from the original message, e.g. it may be the order number. The element is not intended for the ISR reference (no plausibility check takes place at this point).	Always sent back in the status report if there are errors/warnings at C-Level. If the End To End ID is not sent in the "pain.001" then the whole "pain.001" file is rejected with the remark NOTPROVIDED because of the schema violation.	Reference for the debtor from the original message; can be used for reconciliation purposes. Is only delivered if the transaction is booked separately or the recipient is receiving detailed information.	Is forwarded to the creditor.
	2.30	+End To End Identification	Usage: The end-to-end identification can be used for reconciliation or to link tasks relating to the transaction.	M				
C	2.98	Remittance Information	Information supplied to enable the matching of an entry with the items that the transfer is intended to settle, such as commercial invoices in an accounts' receivable system.	O	Purpose of the payment in structured and unstructured form. Structured: "Creditor Reference" as per ISO 11649 or QR reference For payment type ISR: ISR reference number (payment type 1) Unstructured: e.g. notification text from the paying-in slip	Is not sent.	Is returned in the "camt" messages. Is only delivered if the transaction is booked separately or the recipient is receiving detailed information.	Is forwarded to the creditor.

Table 12: Customer Credit Transfer Initiation references

Variants in the case of Customer Direct Debit Initiation references

For the "End To End Identification" and "Remittance Information" elements, there are the following variants in connection with Swiss Direct Debit:

Level	ISO Index	Reference	ISO Definition Usage	Status	Description according to the Swiss Payment Standards	Use (when the reference is sent)		
						pain.002	camt.052/053/054	Interbank
C	2.28	Payment Identification	Identifies unambiguously the transaction.	M	<p>This is the reference from the original message, e.g. it may be the order no. This element is not intended for the ISR reference, a plausibility check is carried out here for CH-DD.</p> <p>CH-DD: For automated debtor accounting, the use of a unique End To End ID is strongly recommended.</p> <p>CH-DD/CH-TA: If this is not available, the value NOTPROVIDED must be sent.</p>	<p>Always returned in the Status Report if there are errors/warnings at C-Level. If the End To End ID is not given in the "pain.008", then the whole "pain.008" file is rejected because of the schema violation.</p> <p>CH-DD/CH-TA: If this is not available, the "pain.008" is rejected and the value NOTPROVIDED is forwarded.</p>	<p>Reference for the debtor from the original message; can be used for reconciliation purposes.</p> <p>Is only delivered if the transaction is booked separately or the recipient is receiving detailed information.</p>	<p>Is forwarded to the debtor.</p>
	2.30	+End To End Identification	Usage: The end-to-end identification can be used for reconciliation or to link tasks relating to the transaction.	M				

Level	ISO Index	Reference	ISO Definition Usage	Status	Description according to the Swiss Payment Standards	Use (when the reference is sent)		
						pain.002	camt.052/053/054	Interbank
C	2.98	Remittance Information	Information supplied to enable the matching of an entry with the items that the transfer is intended to settle, such as commercial invoices in an accounts' receivable system.	O	Purpose of the payment in structured or unstructured form. CH-DD: May only be used in unstructured format. CH-TA: Must be used in structured format and can also optionally be used unstructured.	Is not sent.	Is returned in the "camt" messages. Is only delivered if the transaction is booked separately or the recipient is receiving detailed information.	Is forwarded to the debtor.

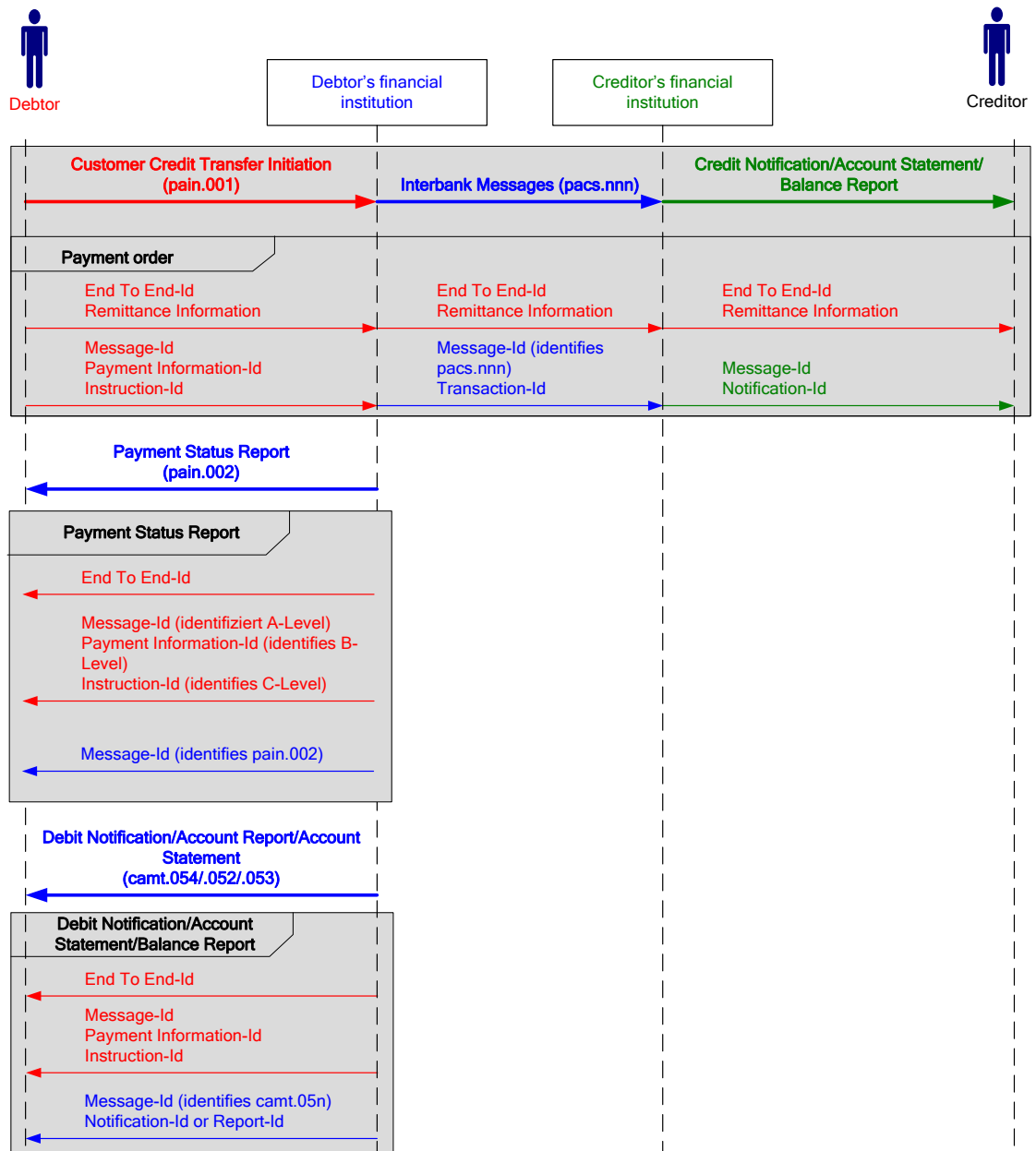
Table 13: Variants in the case of Customer Direct Debit Initiation references

Comment about the status column:

- M** Mandatory (either in the XML schema or according to the EPC Implementation Guideline for SEPA payments)
- R** Recommended (should be present in messages, according to the Swiss Implementation Guidelines)
- D** Dependent (must be present in messages, according to the Swiss Implementation Guidelines, depending on other elements or the payment method selected)
- BD** Bilaterally Determined (only permitted by agreement with the financial institution)
- O** Optional
- N** Must not be used

For detailed information see Implementation Guidelines CT [14].

This results in the following use of references, with the End To End Identification <EndToEndId> and the Remittance Information <RmtInf> being passed on by the financial institutions (debtor's and creditor's institutions) all the way through to the creditor:



Key:
 Elements marked in red are generated by the debtor.
 Elements marked in blue are generated by the debtor's financial institution.
 Elements marked in green are generated by the creditor's financial institution.

Figure 9: Customer Credit Transfer references

4.5 Instructions (Payment Instruments)

Different instructions are controlled by the Payment Method <PmtMtd> (B-Level), Payment Type Information <PmtTpInf> (B- or C-Level) and Cheque Instruction <ChqInstr> (C-Level) elements.

4.5.1 Overview

The instructions are defined in five elements.

1. Element Payment Method (B-Level)

The Payment Method element (B-Level) distinguishes between three types of payment:

- **TRF:** Credit Transfer (Transfer of an amount of money in the books of the account servicer)
- **TRA:** Transfer Advice (Transfer of an amount of money in the books of the account servicer. An advice should be sent back to the account owner)
- **CHK:** Paper/Cheque (Written order to a bank to pay a certain amount of money from one person to another person)

More information can be given in the following elements under Payment Type Information (B- or C-Level):

2. Element Instruction Priority (HIGH or NORM)

3. Element Service Level (e.g. SEPA) or Clearing Channel

4. Element Local Instrument

5. Element Category Purpose

Acc. to ISO 20022 Ref. [1]: If Payment Type Information is used at Level B, then it cannot be used at Level C, i.e. the C-Level is rejected.

In the case of CHK, more information is given in elements under Cheque Instructions. The Local Instruments level can be used for other (national) required information.

4.5.2 Applying the instructions in Switzerland

All instructions defined at B-Level also apply automatically to all the associated C-Levels. Elements that are permitted at more than one level can only be defined on one level (i.e. either on B- or C-Level). This corresponds to the ISO 20022 rule.

Example: Category Purpose <CtgyPurp> element: If the instruction SALA is delivered at B-Level, then **all** C-Levels are automatically also interpreted as SALA.

4.5.2.1 Using the Payment Method element

The value TRA is processed in Switzerland in the same way as TRF and has no special function (see also 4.7 "Controlling the debit advice (Debtor Account Type)"). Both values are permitted, but TRF is recommended.

Otherwise, for cheque payments, the value CHK is required.

4.5.2.2 Using the Payment Type Information element - survey

The structured Payment Type Information element <PaymentTypeInfo1> with its optional sub-elements can occur both at B-Level and at C-Level (although generally either the B- or C-Level can be filled in, not both). The following table shows how Swiss financial institutions proceed with validating this element.

Element	B-Level	OR	C-Level
Instruction Priority <InstrPrty>	✓		-
Service Level <SvcLvl>	✓		✓
Local Instrument <LclInstrm>	✓		✓
Category Purpose <CtgyPurp>	✓		-

The Purpose can only occur at C-Level:

Element	B-Level	OR	C-Level
Purpose <Purp>	x		✓

✓ = may occur, - = is ignored, x = must not occur

4.5.2.3 Using the Payment Type Information element - Instruction Priority

According to ISO 20022, this element defines the urgency of processing at the debtor's financial institution. It is not an instruction indicating the priority of booking or execution of the payment process at the financial institution.

Element	Explanation
Instruction Priority <InstrPrty>	<p>The value NORM indicates processing with the value date as the next banking day or on the "Requested Execution Date" as sent (depending on the currency).</p> <p>The value HIGH indicates processing on the same value date, provided the instruction is delivered within the acceptance period specified by the financial institution in question (depending on the currency). This kind of processing may incur additional charges. The value HIGH generally equates to the Express flag in today's online solutions.</p>

4.5.2.4 Using the Payment Type Information element – Service Level/Clearing Channel

According to ISO 20022, this element describes an agreement or rule about how an order should be executed. It can be either a defined Service Level or a proprietary Text Code. The Service Level affects the payment process at the financial institution.

Service Level element

The following values are supported by Swiss financial institutions:

- Code <Cd>: **SEPA** (value from ExternalServiceLevel1Code list, according to the current SEPA-SL, from 1.1.2012 ≤ 1 day for a guaranteed credit).

Comment: If SEPA is used in the Service Level Code element, then the order is validated by the financial institution according to the SEPA procedure.

If the element is not sent, yet the order does meet SEPA criteria, it can be handled under "Best Effort" as a SEPA transaction by the financial institutions (a processing decision by the financial institution in question).

There are various other values in the external code list, and of these the following are accepted by the financial institutions:

- **PRPT** (EBA Priority Service)
- **SDVA** (Same Day Value)
- **URGP** (Urgent Payment)

These values, SEPA, PRPT, SDVA, URGP are taken into account provided that the financial institution offers that service, otherwise they are ignored (not forwarded, but the order is not rejected).

All other codes and "Proprietary" are only supported by agreement with the financial institution. If this is not the case, the value that is sent is ignored, not forwarded, but the order is not rejected.

Support for other values from the external codes list must be agreed with the financial institution. If the financial institution does not offer the service in question, they are ignored (not forwarded, but the order is not rejected).

4.5.2.5 Using the Payment Type Information element – Local Instrument

On payment orders, the element is used to identify payment types (for details see Implementation Guidelines CT [14]).

This element is used in association with the SEPA Direct Debit Procedure to distinguish between CORE and B2B.

4.5.2.6 Using the Payment Type Information element – Category Purpose/Purpose

Category Purpose element

In the Category Purpose element, codes (for example SALA, PENS, DIVI, TAXS, INTC) from the external ISO 20022 code list (type ExternalCategoryPurposeCode, see www.iso20022.org) can be used to give information about the purpose of a payment order (B-Level, debit side).

The values are taken into account if the financial institution offers the service in question.

Purpose <Purp> element

Like the Category Purpose, predefined codes from an external ISO 20022 code list (type ExternalPurposeCode, see www.iso20022.org) are used to identify the payment (C-Level, creditor side). The element is passed on by the institutions when the payment is made if possible.

Comment: If the code is to apply to the credit and debit sides, then both elements must be sent: at B-Level "Category Purpose" and at C-Level "Purpose".

4.6 Identification of the parties involved

There follows a description of the main features for identifying the parties involved. Different elements are used, depending on the payment type (see also tables in section 2 "Business situations").

4.6.1 Identification of financial institutions

Refers to the Debtor Agent (B-Level) and Creditor Agent elements (C-Level, Financial Institution Identification).

4.6.1.1 Debtor Agent (<DbtrAgt>) and Creditor Agent (<CdtrAgt>)

Swiss financial institutions recommend using the identification instead of the name/address of the financial institution wherever possible for national and international payments. For this, the Business Identifier Code (BIC) and the institutional identification (IID) are available. For international payments the use of BIC is recommended, for national payments the use of the IID.

The following ISO 20022 elements are available

- <BIC> or
- <ClrSysMmbId>/<MmbId> and <ClrSysMmbId>/<ClrSysId>/<Cd>

When entering the clearing number, the clearing number of the financial institution is entered in the <ClrSysMmbId>/<MmbId> element, and in the <ClrSysMmbId>/<ClrSysId>/<Cd> element, the code CHBCC determines that there is a Swiss bank clearing number in the <MmbId> element. Entering the 6-digit SIC number (CHSIC) is not permitted in customer messages.

If the identification of the financial institution is not known at the Creditor Agent, the following two elements can be used:

1. <Nm>
2. <PstlAdr>

4.6.1.2 Forwarding Agent and Intermediary

Both elements are AOS (see 3.1 "Summary of message flow").

In general, the definitions given above also apply to identifying a financial institution in these elements.

4.6.2 Identification of debtor and creditor

The debtor, (B-Level) and the creditor (C-Level) should be identified with their name and address (Customer Identification) and account number (Account Identification).

4.6.2.1 Name and address of debtor and creditor

Debtor

Swiss financial institutions recommend using the <Nm> (Name) element here.

Comment: The debtor is only identified using the Debtor Account element. Information in the Debtor field is ignored. What counts is the master data held by the financial institution for this debtor.

Creditor

In Switzerland, use of the <Nm> (Name) element is mandatory.

In addition, all other available information about the creditor can also be sent:

- Address <PstlAdr>
(address, if possible structured (e.g. Street Name, Building Number), otherwise unstructured in the <AdrLine> element with max. 2 lines, but not both)
- Identification <Id>
- Country <CtryOfRes>

In the case of ISR this element is not required. If it is filled in, it is ignored by the financial institutions as far as possible.

In the case of a bank cheque, the complete address must be filled in with the name/ company name, postcode and town (if possible also the street name).

4.6.2.2 Account number of debtor and creditor

Account number of debtor (Debtor Account)

For this element, Swiss financial institutions recommend using

- <IBAN> or
- <Othr>/<Id> (postal account number or bank account number of the financial institution in question)

Account number of creditor (Creditor Account)

For this element, Swiss financial institutions recommend using

- <IBAN> (for IBAN countries) or
- <PrtryAcct> (postal account number or bank account number of the financial institution in question, in the case of ISR the ISR participant number)

Comment: For cheques the Creditor Account element is not used.

4.6.3 Identification of "Ultimate" Debtor and Creditor

This information is generally structured and defined in the same way as defined for the creditor and debtor (see above).

4.7 Controlling the debit advice (Debtor Account Type)

The type of debit advice (camt.054) can be selected in the message. This selection can override what is defined in the master data of the financial institution. The following notification options can be entered:

- Single booking
 - no advice
 - single advice
- Collective booking
 - no advice (bookings are only listed in the account statement)
 - collective advice with no details
 - collective advice with details

All the financial institutions offer these options, but the precise definition may vary for each institution.

This information in the message refers to the data content of the debit advice and does not control on which advice and whether it is sent on paper or electronically, or the details of the layout of the advice.

The type of advice is selected using the Payment Information/Batch Booking and Payment Information/Debtor Account/Type/Prtry elements (the Payment Method element is not used in this context).

Type of debit advice	Payment Information		
	Batch Booking	Debtor Account/ Type/ Prtry	Payment Method
Single booking			
No advice	FALSE	NOA	TRF/TRA/CHK
Single advice	FALSE	SIA	TRF/TRA/CHK
Collective booking			
No advice	TRUE	NOA	TRF/TRA/CHK
Collective advice with no details	TRUE	CND	TRF/TRA/CHK
Collective advice with details	TRUE	CWD	TRF/TRA/CHK

Table 14: Controlling the debit advice

Comment: Both the Payment Information/Batch Booking and Payment Information/ Debtor Account/Type/Prtry elements are used at B-Level. The Payment Information/Payment Method element is not used to control the advice but is used to distinguish between transfers with or without a financial institution on the creditor side.

Meaning of the codes in the Debtor Account/Type/Prtry <Prtry> element:

- NOA No Advice
- SIA Single Advice
- CND Collective Advice No Details
- CWD Collective Advice With Details

If this element is not present, the debit advice is sent according to the master data of the financial institution (according to ISO 20022 Customer-to-Bank Message Usage Guide Customer Credit Transfer Initiation: "provided this type of service is pre-agreed between the debtor and its bank").

Any other combinations, e.g. Batch Booking = TRUE and Debtor Account/ Type/Prtry = SIA will be rejected (also invalid codes not included in the external code list).

Meaning of the codes in the Payment Method <PmtMtd> element:

- TRF Credit Transfer
- CHK Cheque
- TRA Transfer Advice

The value TRA is processed in Switzerland in the same way as TRF and has no special function. The values TRF, TRA and CHK have no effect on whether a debit advice is created or not. Similarly for account statements, the definitions in the master data held by the financial institution apply. These cannot be overridden in the message.

4.8 Limiting the message size

Messages to financial institutions that exceed 99,999 payments (C-Level) will be rejected by the financial institutions.

Depending on the financial institution, the size of the message that can be delivered may be smaller.

4.9 Character set

In principle, ISO 20022 XML messages support the UTF-8 character set. Of that, only the "Latin Character Set" is permitted by Swiss financial institutions and in the SEPA area, and this is the one already in use. The exact list of permitted characters and a conversion table can be found in the Swiss Implementation Guidelines.

4.10 Checking for duplicates

At Swiss financial institutions, checking for duplicates at least takes place at the level of the document (message). This is why the contents of the Message Identification element <MsgId> must be unique, so as to serve as the criterion for preventing duplicate processing of files which have accidentally been submitted twice. At most financial institutions, the uniqueness is maintained for a period of at least 90 days.

For software providers, this means that they must be able to identify their messages uniquely using Message Identification for at least 90 days. Messages with the same Message Identification will be rejected.

It is recommended that the Message Identification remains unique for as long as possible, to make any subsequent investigations easier.

Comment: Usually, financial institutions also implement other technical duplicate checking of other elements (A-, B- or C-Level).

4.11 Confidential payments

4.11.1 Debit side

In the case of confidential payments, the details about the recipient of the payment are suppressed on account reports and on debit notifications.

A payment is always processed as a “confidential payment” if the elements at B-Level are filled in as follows:

- Category Purpose Code = SALA
- Debtor Account/Type/Prtry = NOA or CND
- Batch Booking Indicator = TRUE

At certain institutions, payments may also be treated as confidential with lower criteria. Possible institute-specific criteria for confidential payments may include:

- Category Purpose SALA alone indicates a confidential payment, regardless of the information in the “Debtor Account/Type/Proprietary” and “Batch Booking Indicator” elements..
- An entry of NOA (no information) or CND (collective booking with no details) in the Debtor Account/Type/Proprietary, and Batch Booking Indicator = TRUE, result in a confidential payment.
- Certain other code values in the “Category Purpose Code” element (with or without the other two elements listed) result in a confidential payment (e.g. PENS or BONU).

Institute-specific criteria for confidential payments can be found in each individual bank’s documentation, e.g. on access restrictions in e-banking.

4.11.2 Credit side

Control of credit notifications is determined by the services offered by the creditor’s financial institution.

The beneficiary can be notified about a salary, pension or bonus payment by filling in the relevant Purpose Code (SALA, PENS or BONU).

4.11.3 Online-Banking Services

The SALA code (in the “Category Purpose” element at B-Level) can be used in online banking services to control access authorisation in relation to approvals and signature authorisation, including restrictions on user profiles.

Applications of this are institute-specific and can be found in each bank’s documentation.

4.12 Version for cheques

For cheques (instructions with no account number on the creditor side), the following definitions apply (see also section 2 "Business situations"):

- Element Payment Method: must contain CHK
- Element Creditor Agent: is not sent
- Element Creditor: must contain the full address or a unique identifier for the creditor (address including name, postcode, town and street and house number if available).
- Element Cheque Instruction: contains sub-elements for cheque-specific instructions.

Comment: Cheques are always sent in a separate B-Level (see also 4.5.2.1 "Using the Payment Method element") (because the Payment Method element is defined at B-Level). Under ISO 20022, stating the creditor's account number in combination with CHK is not allowed.

Note: It is up to the financial institutions to decide whether they offer the payment type Check. The actual range of payment types that are offered is described in institute-specific service descriptions.

4.13 Definitions of specific elements

4.13.1 Requested Execution Date element

The "Requested Execution Date" element (<ReqdExctnDt>) contains the requested date of execution (date on which the account should be debited – value date) for the payment order. The following rules apply for the financial institutions:

- Valid date range as standard:
 - Execution date in the future:
 - Execution date up to 60 calendar days in the future (from submission date) will be accepted.
 - For data with an execution date of up to 60 calendar days in the future, the payment order is scheduled at the financial institution and triggered on the execution date, taking into account the cut-off time.
 - If the execution date falls on a public holiday or Saturday/Sunday, the execution date is automatically shifted to the next possible banking day, Post Office working day.
 - Execution date in the past:
 - Execution date up to 10 calendar days in the past (from submission date) will be accepted.
 - For data with an execution date of up to 10 calendar days in the past, an automatic correction is made to the next possible execution day (banking day, Post Office working day).
- Financial institutions can individually set longer deadlines.

Comment: On account of, for example, acceptance time limits at a particular financial institution, the date of execution <ReqdExctnDt> may be postponed to the next possible working day. Financial institutions generally may have different acceptance times depending on the channel, currency and type of payment. Also to be considered are financial institution-specific regulations at the time of execution (for example with Instruction Priority = HIGH).

4.13.2 Instruction for Debtor Agent and Creditor Agent element

These elements can only be used for instructions which are not already included in other elements of the standard (e.g. urgent payments should be ordered setting the Instruction Priority element as HIGH or NORM).

Comment: The use of instructions can lead to delays and additional processing costs.

Element	Explanation
Instruction for Debtor/Creditor Agent	Depending on the agreement with the financial institution, instructions may be used.

<input checked="" type="checkbox"/>	Additional Optional Service	Explanation
AOS	Use of "Instruction for Debtor/ Creditor Agent"	The element may only be used as an AOS by agreement with the financial institution.

4.13.3 Control Sum

Swiss financial institutions recommend always using this field <CtrlSum> at A-Level (sum of individual transactions, regardless of currency). If there is an entry in the field, it is validated by the financial institution.

5 Customer Direct Debit Initiation

5.1 Handling B- and C-Levels in Direct Debit

The A-, B- and C-Levels in Direct Debit are interpreted in the same way as in Customer Credit Transfer, but with the roles of Debtor and Creditor reversed (B-Level equates to Creditor and C-Level to Debtor). The definitions of the elements in Section 4 "Customer Credit Transfer Initiation" also apply to Direct Debit. The specific details for processing the Customer Direct Debit Initiation message (pain.008) are described in the Implementation Guidelines

- for the Swiss direct debit procedure and
- for the SEPA direct debit procedure

Currently in Switzerland, the SEPA Core Direct Debit and the SEPA B2B Direct Debit is supported. The national direct debit procedure remains in place for the time being, separately from SEPA Direct Debit.

The ISO 20022 Maintenance Release 2009 (pain.008.001.02 and pain.002.001.03) is supported in accordance with the current EPC recommendations for the SEPA direct debit procedure.

In the same way as for a payment order, the financial institutions usually provide a Status Report in "pain.002" format for each message that is submitted.

6 Customer Payment Status Report (pain.002)

When a "Customer Transfer Initiation" or "Customer Direct Debit Initiation" is delivered, it is always responded to with at least a Payment Status Report.

The status message is a direct, instant response from the financial institution to the receipt of a "Customer Credit Transfer Initiation" or "Customer Direct Debit Initiation" message. The status message may be a response to the whole message or just to certain specific B-Levels within the message. It is not a confirmation of processing by the financial institution.

The "Customer Payment Status Report" (pain.002) is described in detail in the relevant Implementation Guideline. This Guideline also contains the following Additional Optional Services (AOS) for the Status Report.

<input checked="" type="checkbox"/> AOS	Additional Optional Service Recipient of the Status Report different from the sender	Explanation The "Payment Status Report" generally goes to the sender of the "Customer Credit Transfer". That may also be the "Initiation Party". The "pain.002" message can also go to the debtor if they are not the sender of the "pain.001" (e.g. for status reports in the case of a change of status for the order due to approvals, deletions, execution etc.)
<input checked="" type="checkbox"/> AOS	Additional Optional Service Statuses in "pain.002" status reports	Explanation As well as the statuses described above, which are supported by all Swiss financial institutions, other optional statuses are possible at certain institutions. These are: <ul style="list-style-type: none"> • PDNG (Pending) Status: Group, PmtInf • ACSP (Accepted for Clearing) Status: Group, PmtInf
<input checked="" type="checkbox"/> AOS	Additional Optional Service Additional status reports	Explanation Other changes in the status of the order, e.g. because of approvals, deletions, execution etc. may be reported back in additional status reports, depending on the financial institution.

7 Limitations when using ISO 20022

Bank – Bank

Until ISO 20022 is fully implemented in interbank business (SWIFT), there are limitations on the scope of the data that can be transmitted. This means that data elements from the ISO standard which cannot be directly reflected in existing formats cannot be passed on, or only with limitations.

Bank – Customer

The same limitations apply to data exchanges with customers, until the "camt" messages are introduced across the board by the financial institutions for notifications and account statements. The ISO 20022 reporting section will only be able to be supported when "camt" messages have been fully introduced.

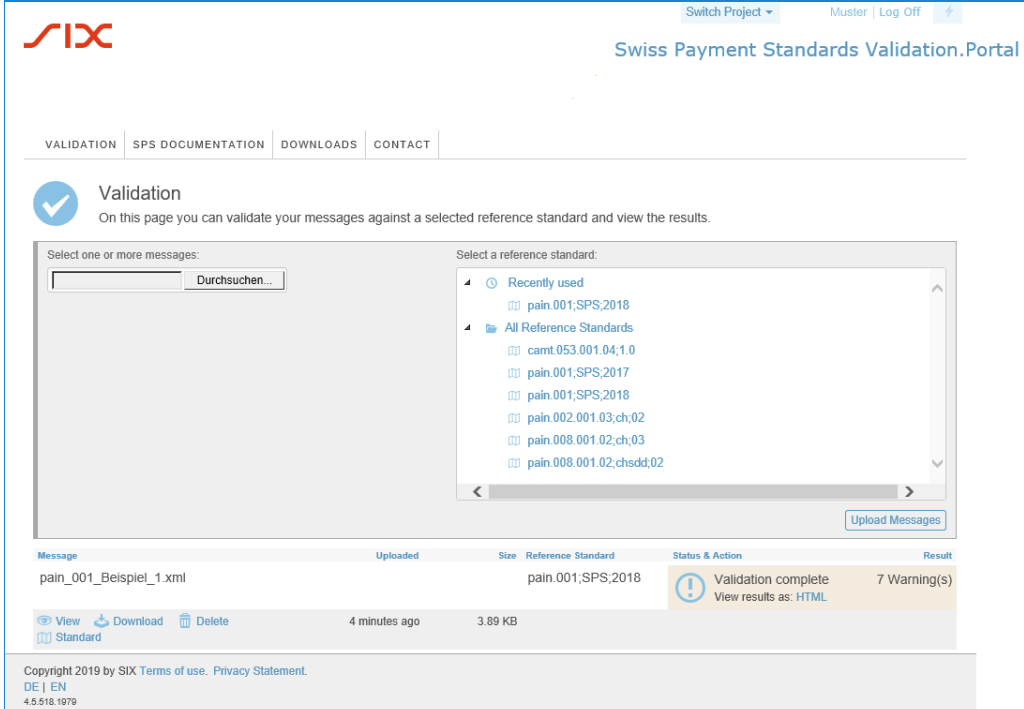
8 Central validation point

The migration of customers, software providers and financial institutions is supported by a central validation portal for customer-bank messages. The aims of this validation portal are:

- to encourage consistent use of the ISO 20022 standard, especially the Swiss Business Rules and Implementation Guidelines, by all financial institutions and software providers
- to avoid errors and problems in delivering and receiving ISO messages between customers or software providers and financial institutions
- to provide a central upstream validation point as the basis for any additional bilateral tests between banks and customers or software providers (at present each financial institution has to carry out bilateral tests with each software provider)
- to coordinate and further develop the Implementation Guidelines with the PaCoS working group 20022 Payments CH.

All messages for which Implementation Guidelines have been published are supported by the validation portal:

- pain.001: Customer Credit Transfer Initiation
- pain.008: Customer Direct Debit Initiation for the Swiss direct debit procedure
- pain.008: Customer Direct Debit Initiation for the SEPA direct debit procedure
- pain.002: Payment Status Report
- camt.052: Bank to Customer Report
- camt.053: Bank to Customer Statement
- camt.054: Bank to Customer Debit/Credit Notification



The screenshot displays the SIX Swiss Payment Standards Validation Portal. At the top, there is a navigation bar with tabs for 'VALIDATION', 'SPS DOCUMENTATION', 'DOWNLOADS', and 'CONTACT'. The main content area is titled 'Validation' and includes a search bar with the text 'Durchsuchen...'. Below the search bar, there is a table with columns for 'Message', 'Uploaded', 'Size', 'Reference Standard', 'Status & Action', and 'Result'. The table contains one entry: 'pain_001_Beiispiel_1.xml', uploaded 4 minutes ago, with a size of 3.89 KB, validated against the 'pain.001;SPS;2018' standard, and showing a 'Validation complete' status with '7 Warning(s)'. The result is viewable as HTML. The footer of the page includes copyright information for SIX, terms of use, and privacy statement, along with language options (DE | EN) and a version number (4.5.518.1979).

Figure 10: Validation portal customer-bank

The scope of the validation portal is as follows:

- Customers, software providers and financial institutions can upload created messages to the validation portal via the Web.
- The validation results are made available for customers, software providers and financial institutions to view and download in the form of a "pain.002" message and a description of the generated test results (text and HTML).
- In the description that is generated showing the validation results, a distinction is made between "Errors" and "Notes". Whereas messages containing "Errors" will generally be rejected by the financial institution, "Notes" are intended to draw attention to possible discrepancies in the validated message from the recommendations in the Implementation Guidelines. "Notes" should not lead to a message being rejected.
- SIX Interbank Clearing will make points of contact available to run the platform and will raise any problems that arise with the working groups of the financial institutions so that the Swiss Payment Standards can be clarified and supplemented.

Comment: Before the first delivery of an ISO message to a financial institution, the software provider/customer must contact the relevant financial institution and explain how to use the various ISO messages. A positive result from the validation platform does not replace any more far-reaching institution-specific tests which may be required.

9 Business Rules Customer Cash Management

9.1 "camt" messages – the future of electronic account information

In order to comply with national and international regulatory requirements and achieve end-to-end automated processing of transactions, the Swiss financial services industry will in future use "camt" messages in accordance with the globally recognized ISO 20022 standard for electronic account statements.

When a customer is converted to the ISO 20022 message standard, it is recommended that, wherever appropriate, the customer also receives the new "camt" messages in place of existing SWIFT messages and other electronic reports such as the ISR file V11 (ISR file V11 will be discontinued in November 2022). The additional information in "camt" enables synergies in the value chain between payment transfer providers, financial institutions and consumers to be exploited more efficiently and data truncation avoided.

However, the switch to "camt" is also necessary in order to comply with national and international regulatory requirements such as the Federal Act on Combating Money Laundering and Terrorist Financing (GwG), since "camt" messages are able to carry the required additional information end-to-end.

9.2 Messages according to the Swiss Payment Standards

Cash Management messages are used for the purpose of reporting to customers as both debtors and creditors.

In this context, the "pain.002" message (Payment Status Report) at the customer interface is not regarded as Cash Management message, since this message is only created in relation to specific orders.

Because of the end of the ISR/IS process, the conditions according to section 1.5 regarding the simultaneous support of two major versions do not apply to the specific guidelines for ISR. The delivery of receipts from orange (ISR) and red inpayment slips (IS) is possible until the SIC release 2022.

Cash Management messages are used for reporting. Swiss financial institutions can offer the following message types:

ISO 20022 message	Application	SWIFT MT
camt.052	Bank to Customer Account Report (intra-day account transactions)	MT942, MT941
camt.053	Bank to Customer Statement (end-of-day account statement)	MT940, MT950
camt.054	Bank to Customer Debit/Credit Notification (debit/credit notification)	MT900, MT910

Table 15: Cash Management messages

Optional messages	Explanation
Support for camt.052	Not all financial institutions offer messages for displaying intraday account movements.
Support for camt.054	Not all financial institutions offer messages for displaying debits/credits.

Table 16: Optional Cash Management messages

9.3 Principles of message structure

9.3.1 Handling B-, C- and D-Levels

B-, C- and D-Levels within messages (A-Level, Document) are interpreted in Customer Cash Management as follows:

- B-Level: Account level (Statement) – details in the statement (report) relating to the account, e.g. account number, currency and balance.
- C-Level: Amount level (Entry) – details about a booking, e.g. date, credit/debit, total amount and currency. The C-Level can be repeated and may be absent if there are no bookings.
- D-Level: Amount details (Entry Details) – detailed information about a booking e.g. references sent previously by "pain.001" of the debtor (e.g. End To End Identification) and reference of the creditor (Remittance Information, e.g. ISR reference or Creditor Reference).

9.4 Different versions of camt.052, camt.053 and camt.054

Depending on the message, significant information either has to appear in the statement, may appear or is not filled in. The following summary shows the main differences:

Information/Message	camt.052 Account Report	camt.053 Statement	camt.054 Debit/Credit Notification
Header (A-Level)	must	must	must
Account (Statement: B-Level)	must ²	must	must ³
Booking (Entry: C-Level)	optional	optional	must
Booking details (Entry details: D-Level)	optional	optional	must
Booked booking	✓	✓	✓
Provisional booking	✓	-	✓
Booking details	✓	✓	✓

✓ = Attribute can occur / - = Attribute does not occur

Table 17: Versions of Cash Management messages

Definitions:

Booked booking: This is a **definite booking** (generally the result of day-end processing), which can no longer be deleted. It can only be corrected by a booking cancellation which is visible to the customer.

² Balance optional

³ No balance

Provisional booking: An **intra-day booking** becomes a booked booking at the end of the day (see above). Where a booking is the result of intra-day processing, it can also only be corrected by a booking cancellation which is visible to the customer.

9.5 Size restriction

It is expected that financial institutions will send "camt" messages per message (Message Identification) and per individual booking (C-Level) with a maximum size of 99,999 transactions (D-Level). If the number of transactions exceeds that size, then this should be apparent from the "Message Pagination/Page Number" and "Message Pagination/Last Page Indicator" elements.

Delivery types

Financial institutions generally send "camt" messages in two different ways:

- "camt" message (not compressed)
- ZIP container (contains 1..n "camt" messages, sometimes with the addition of images of the inpayment slip)

9.6 Referencing certain messages

The "Message Identification" element in the "Group Header" group of elements is used to reference a "camt.05x" message. This reference is institute-specific and unique for at least one year.

9.7 Breakdown of batch bookings (pain.001, pain.008)

9.7.1 Batch booking scenarios

Various batch booking scenarios are supported by the Swiss Payment Standards. A useful distinction to make is between "Grouped by the customer" and "Grouped by the financial institution":

- **Grouped by the customer:** The customer plays the active role. He groups transactions in transfer messages (pain.001) or collects SEPA direct debits (pain.008) by using the Batch Booking Indicator.
- **Grouped by the financial institution:** The bank plays the active role. It groups transactions on behalf of the customer or for the customer, for example in the case of incoming ISRs or incoming Swiss direct debits.

A batch booking breakdown is normally offered by financial institutions mainly when the financial institution does the grouping, because the customer in this scenario urgently needs the batch booking breakdown for their account reconciliation. In scenarios where the customer does the grouping, the customer himself already has all the details in their own system and therefore requires little further information. For that reason, in this case there is often no need for a batch booking breakdown.

Batch booking for business cases ISR/LSV, CH-DD, QR-IBAN and payments with reference type SCOR

In the case of the following business cases, a financial institution can group bookings according to the following principles (at least one of them is supported by every financial institution):

Version	Business case	Standard grouping criteria	Additional grouping criteria
1	a) ISR b) LSV	Value date and credit account	Participant number
2	a) ISR b) LSV	Value date and credit account	Participant number and BISR-ID
3	CH-DD	Value date and credit account	Biler-PID
4	QR-IBAN	Value date and credit account	QR-IBAN
5	QR-IBAN	Value date and credit account	QR-IBAN and first 6 characters of the QR reference
6	SCOR reference	Value date and credit account	Reference type SCOR
7	SCOR reference	Value date and credit account	Reference type SCOR and characters 5-10 of the ISO Creditor Reference (capital/lower case lettering is not relevant)

Table 18: Batch booking versions

The principle which a financial institution has used for grouping can be seen from the corresponding "camt" message in the "Entry Reference" field and is described in detail in the "IG camt" [17]. A batch booking is generated even if one single ISR/LSV, CH-DD or QR-IBAN entry is present.

If the batch booking is broken down using "camt.054", then delivery takes place in separate messages for each procedure.

How a financial institution groups any other business cases depends on the specific institution.

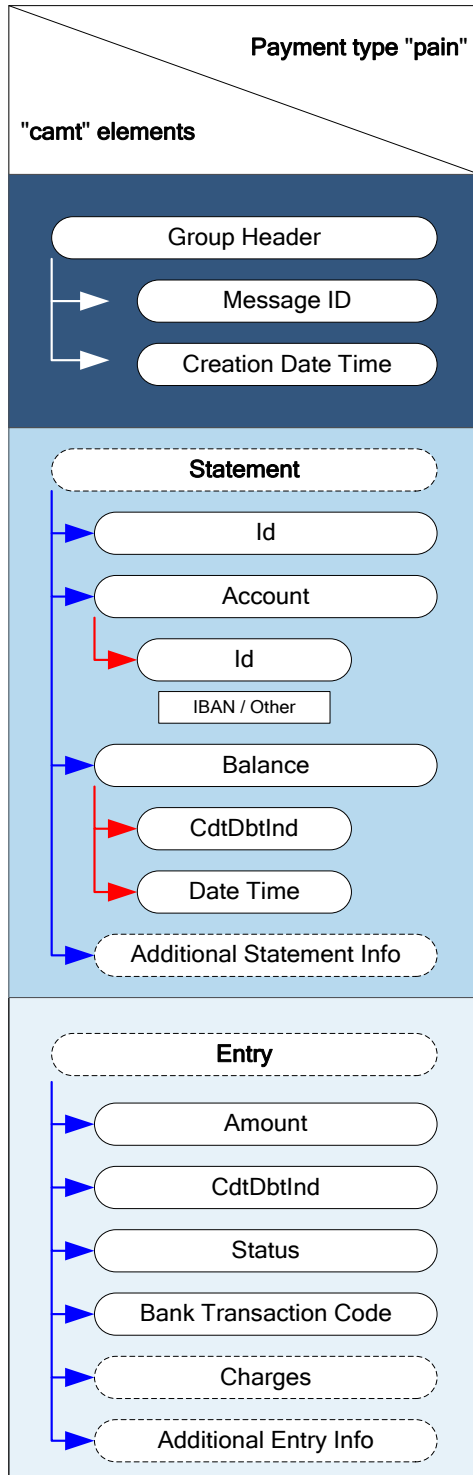
9.7.2 Possible batch booking breakdown

Batch bookings can be broken down in two ways

- **Internally:** Batch booking breakdown within one "camt.053" message (account statement) or one "camt.052" message (if batch booking breakdown in the "camt.052" is offered by the financial institution).
- **Externally:** Batch booking breakdown externally by referencing a "camt.054" message.

All Swiss financial institutions support internal batch booking breakdown (if the financial institution groups transactions) within a "camt.053" message.

9.8 Definitions of specific elements on the basis of camt.053



The following remarks on specific elements are based on the "camt.053" message (Customer Statement). Variations from or additions to "camt.052" (Customer Account Report) or "camt.054" (Customer Debit/Credit Notification) messages are explicitly marked as such in the text.

The main elements at A, B and C levels are shown on the left. The following paragraphs describe for each level (including D-Level) the most important elements and how they are used in Switzerland.

Note: When "camt" is being introduced, there may be differences during the transitional phase in the degree of detail in the information that is made available, depending on the institution. For all services, the customer can assume that he will receive similar information to that in existing message types (e.g. MT940) in the "camt" messages. In addition, typical ISO elements (e.g. End-to-End ID or the Remittance Information such as the structured ISR reference or the Creditor's Reference) will now also be available.

9.8.1 Balance <Bal>, B-Level

Information on the account balance.

9.8.2 Balance Type <Tp>, B-Level

The Balance Type element <BalanceType2Choice> defines the balance type (mandatory field at B-Level). ISO prescribes an external code list. In Switzerland, the following values are used:

Code	Designation (Source: ISO)	Description
CLAV	Closing Available	Value date balance
CLBD	Closing Booked	Closing balance (booking balance)
FWAV	Forward Available	Future value date balance
ITAV	Interim Available	Interim value date balance
ITBD	Interim Booked	Interim booking balance
OPBD	Opening Booked	Opening balance (booking balance)
INFO	Information	Information balance

Table 19: ISO balance codes

Definitions:

- Closing Available/Value date balance:**
 The value date balance (balance for interest payment purposes) available to an account-holder on the date of the statement.
 Corresponds to Field 64 in the SWIFT MT940/950.
- Closing Booked/Closing balance (booking balance):**
 Balance after the booking date, includes all booked transactions (regardless of value date).
 Corresponds to Field 62 in the SWIFT MT940/950.
- Forward Available/Future value date balance**
 Value date range in the future.
 Corresponds to Field 65 in the SWIFT MT940/950.
- Interim Available/Interim value date balance**
 Interim value date balance calculated during the day, may change.
 Corresponds to Field 64 in the SWIFT MT941.
- Interim Booked/Interim booking balance**
 Interim booking date calculated during the day, may change.
 Corresponds to Field 62 in the SWIFT MT941.
- Opening Booked/Opening balance (booking balance)**
 Opening balance, equates to the closing balance from the previous report.
 Corresponds to Field 60 in the SWIFT MT940/950.
- AOS: Information/Information balance**
 Equates to a balance that is not relevant to the booking and is used by some financial institutions for information purposes.

9.8.3 Entry Status <Sts>, C-Level

The Entry Status element <EntryStatus2Code> defines the status of a booking (mandatory field at C-Level). ISO prescribes a list of values in the schema. Swiss financial institutions support the following codes.

Code	Designation	Description
BOOK	Booked	Booked turnover
PDNG	Pending	Provisional booking

Table 20: ISO booking status codes

Definitions:

- Booked/Booked turnover:
all booked bookings, i.e. transactions already entered in the end-of-day accounting.
- Pending/Provisional booking
all provisional bookings, i.e. transactions not yet included in the end-of-day accounting (intraday transactions).

In the "camt.053" message, only BOOK is permitted. Status of "camt.052" and "camt.054" see sections 9.9.2 "Entry Status <Sts>, C-Level" and 9.10.3 "Entry Status <Sts>, C-Level".

9.8.4 Bank Transaction Code <BkTxCd>, C-Level

The booking type is defined in the Bank Transaction Code <BkTxCd> element (mandatory field at C-Level). This is based on an externally defined ISO Code List. In Switzerland, the current (institute-specific) code is also known as a business transaction code.

See http://www.iso20022.org/external_code_list.page for ISO codes and Swiss Payment Standards on Cash Management for the descriptions of selected codes (in the Payments section) which are offered by all institutions in Switzerland.

The ISO Bank Transaction Code is structured as follows:

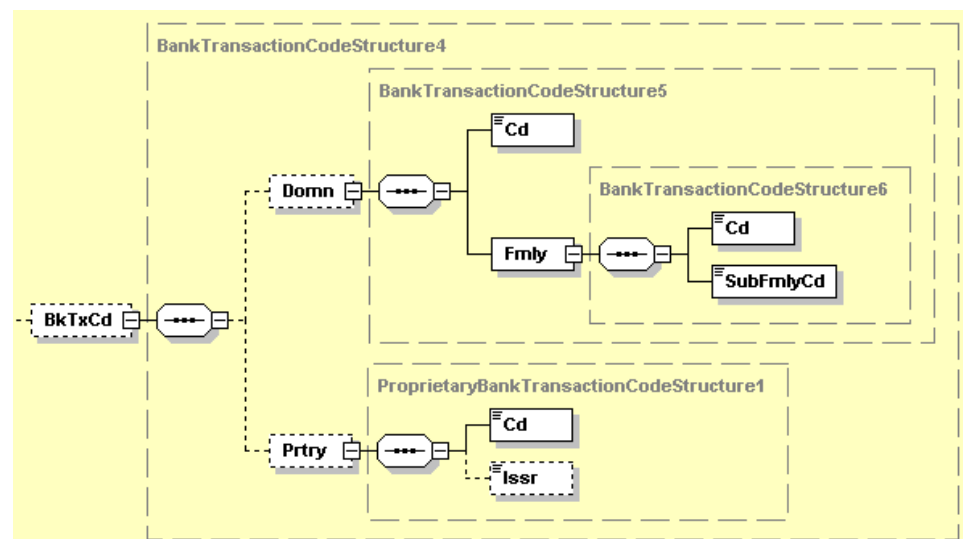


Figure 11: Bank Transaction Code

- Domain:** Highest level of identification. Shows the domain where the booking was entered (e.g. Payments or Cash Management).
- Family:** Describes the transaction type for the booking (e.g. Issued Direct Debits or Account Balancing).
- Sub Family:** Lowest level giving detailed information about the booking (e.g. SEPA Core Direct Debit or Fees).
- Note:** Some institutions also support existing transaction codes (booking code, business transaction code) in the Proprietary field <Prty>.

In the Payments section, the Swiss institutions have agreed to offer a standard code list (a subset of the ISO code list) for entries in these elements (see also the list in Appendix A in the Swiss Payment Standards on Cash Management). All the codes offered are a valid three-part combination as prescribed by ISO.

SWIFT MT comment: Corresponds to Field 61 in MT942, MT940/950: Statement Line (Transaction Type Identification Code), Sub-field 6.

9.8.5 References <Refs>, D-Level

In Switzerland, the following Transaction Identifications are sent for bookings:

- **MessageIdentification:** Message Identification from the original instruction message (e.g. A-Level from "pain.001" or MT103, Field 20)
- **AccountServicerReference:** Unique reference assigned to the transaction by the banking institution. The references can be different at C-Level and D-Level (e.g. when batch bookings are broken down). For individual transactions, the reference is the same.
- **PaymentInformationIdentification:** Identification from the original instruction message (B-Level, e.g. from "pain.001").
- **EndToEndIdentification:** Customer reference for the debtor from the original instruction is sent at all stages (C-Level, e.g. from "pain.001"). According to SWIFT Mapping Rules, this equates to Field 86 (Reference Account Owner) in SWIFT MT940.

Note: The EndToEndIdentification, as defined by the ISO, is an unstructured element which can be used by the ordering party (pain.001: the debtor, pain.008: the creditor) to identify their transaction uniquely. The ID is unchanged when the message is sent.

Note: The structured reference (e.g. the ISR reference or the RF-Creditor's Reference) and the creditor's unstructured reference is sent in the "Remittance Information" element (see section 4.4 "Customer Credit Transfer Initiation references").

Original text ISO: "Unique identification, as assigned by the initiating party, to unambiguously identify the transaction. This identification is passed on, unchanged, throughout the entire end-to-end chain."

- **MandateIdentification:** Mandate Identification from the original Direct Debit order (C-Level, from "pain.008").
- **InstructionIdentification:** Identification from the original instruction message (e.g. C-Level from "pain").

The following elements are not used in Switzerland in the current release version:

- **TransactionIdentification**
- **ChequeNumber**
- **ClearingSystemReference**
- **Proprietary**

9.8.6 **Bank Transaction Code <BkTxCd>, D-Level**

Information about the type of transaction. External code list similar to the element at C-Level (see section 9.8.4 "Bank Transaction Code <BkTxCd>, C-Level"). The code at D-Level may be different from the C-Level, for example in a breakdown of a batch booking (see also the Swiss code list in Appendix A in the Swiss Payment Standards on Cash Management).

9.8.7 **Purpose <Purp>, D-Level**

Purpose of the transaction from the original instruction. The purpose (e.g. SALA) may be displayed to the ordering party and the creditor, depending on the continuity of their systems. The codes are managed using an external list (type ExternalPurposeCode, see www.iso20022.org).

9.8.8 **Remittance Information <RmtInf>, D-Level**

This field consists of a number of sub-elements. In Switzerland the <CdtrRefInf> field may be filled in, where in the instruction the structured Creditor Reference is given (e.g. ISR reference, IPI reference or the new international Creditor's Reference in accordance with ISO 11649).

9.9 Bank to Customer Account Report (camt.052)

This message contains intraday account movements and corresponds to SWIFT messages MT941 and MT942. The customer generally receives these reports at regular intervals (e.g. hourly).

The name and data type for this element is now "**Report**" instead of "Statement". "Report" is used as a component of all sub-fields instead of "Statement" (e.g. also as part of a term such as "Additional **Report** Information" instead of "Additional **Statement** Information"). The structure of the content of this data type is identical except for the features described below.

9.9.1 Balance <Bal>, B-Level

In Switzerland, all movements during the day which have the status BOOK or PNDG are taken into account when calculating the intraday balance.

9.9.2 Entry Status <Sts>, C-Level

In addition to the expression BOOK in "camt.053", in "camt.052" the expression PNDG can also be sent.

9.10 Bank to Customer Debit Credit Notification (camt.054)

The message contains debit and credit notifications and equates to SWIFT messages MT900 and MT910. The customer generally receives these reports subsequent to events (e.g. when an instruction has been placed).

The name and data type of the element it contains is now "**Notification**" instead of "Statement". "Notification" is used as a component of all sub-fields instead of "Statement" (e.g. as part of terms such as "Additional **Notification** Information" instead of "Additional **Statement** Information"). The structure of the content of this data type is identical except for the features described below.

9.10.1 Reporting Source <RptgSrc> <Prtry>, B-Level

In the "camt.054", the "Reporting Source" element can be delivered as an AOS to distinguish between the different applications of the "camt.054" message.

☒	Additional Optional Service	Explanation
AOS	Element Reporting Source	If delivered, the following possible values can be used: <ul style="list-style-type: none"> • C53F Collective Booking Statement – FI collects Prtry • C53C Collective Booking Statement – Customer collects Prtry • C52F Collective Booking Account Report – FI collects Prtry • C52C Collective Booking Account Report – Customer collects Prtry • DBTN Debit Notification (ISO Code) • CDTN Credit Notification (ISO Code) • OTHR Collective Booking Statement

9.10.2 Balance <Bal>, B-Level

This message does not contain the Balance element.

9.10.3 Entry Status <Sts>, C-Level

In addition to the expression BOOK in "camt.053", in "camt.054" the expression PNDG can also be sent.

Appendix A: Comparison camt.053 – MT940

The following chart shows an example of the how the main objects from SWIFT message MT940 can be mapped on to ISO "camt.053".

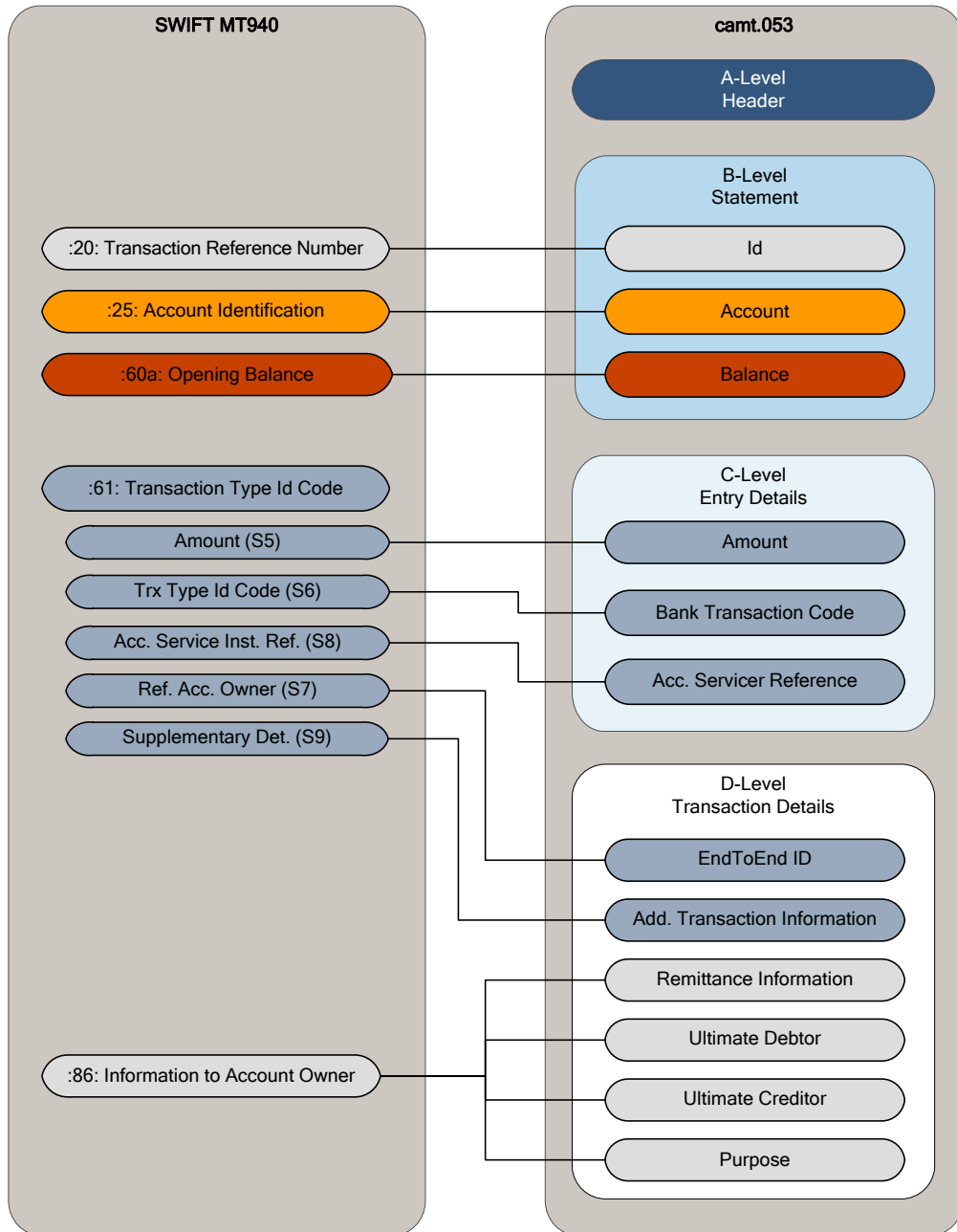


Figure 12: Summary mapping MT940 on to "camt.053"

Appendix B: References in Cash Management Report

The following chart shows the connection between a payment order and the corresponding bank statements for Debtor and Creditor in summary form. A detailed description of the relationships between the various references can be found in the Implementation Guidelines for "camt" [17].

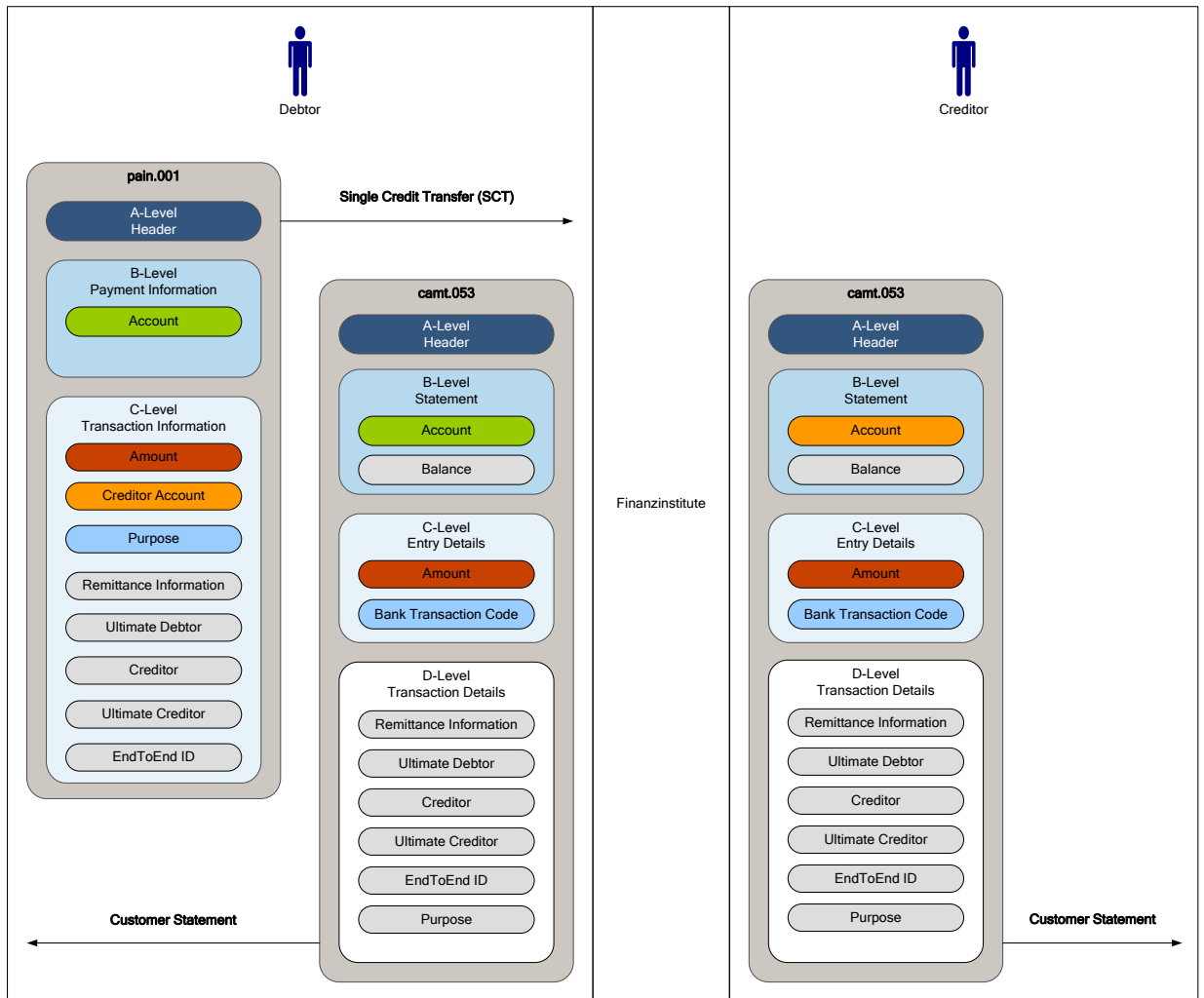


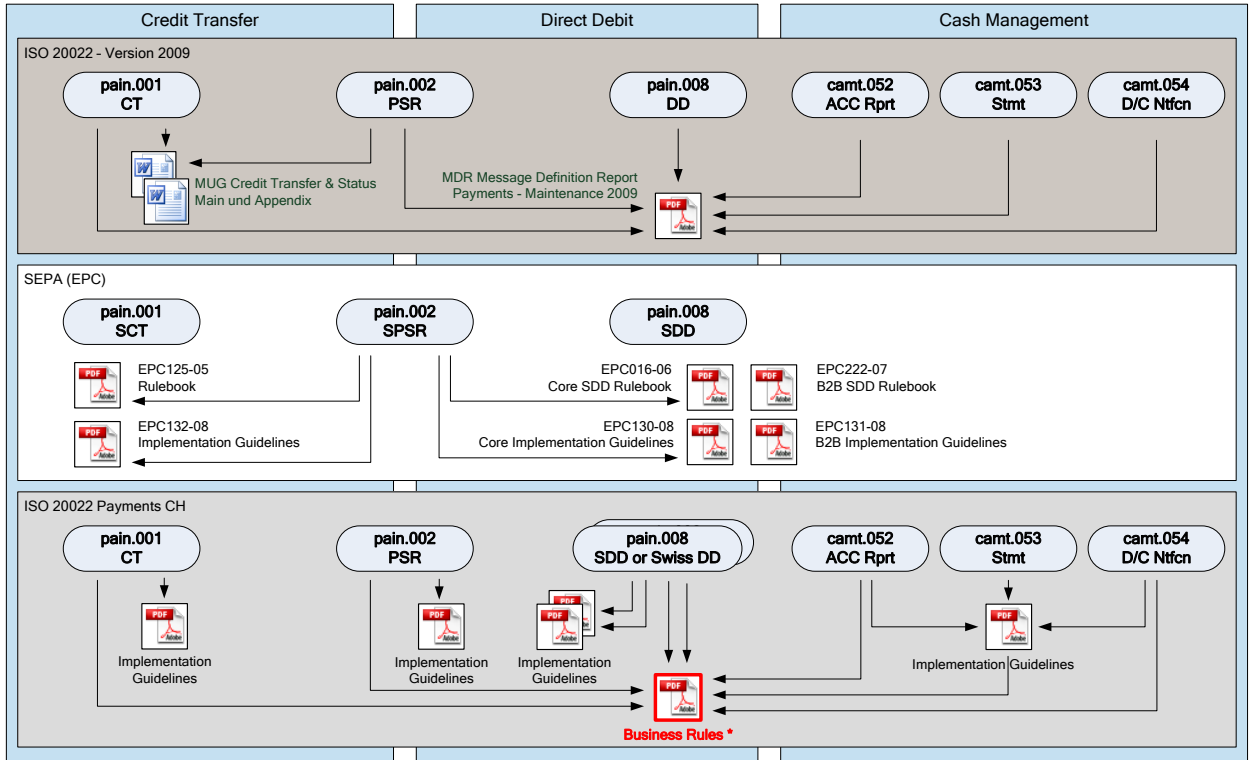
Figure 13: Interaction between "pain.001" and "camt.053"

Appendix C: AOS list

Additional participants (e.g. in a multi-banking scenario)	22
Use of "Instruction for Debtor/ Creditor Agent"	53
Recipient of the Status Report different from the sender	55
Statuses in "pain.002" status reports	55
Additional status reports	55
Element Reporting Source	71

Appendix D: Basis for the Swiss Payment Standards

The Swiss Payment Standards (Business Rules and these Implementation Guidelines) are based on documents from ISO and EPC.



* This document

Figure 14: Basis for the Swiss Payment Standards

Appendix E: Glossary and list of abbreviations

ACH

Automated Clearing House (Clearing System)

Advice, Notification

A distinction is made between credit and debit advices; the term describes a notification from the account-holding institution about a credit or debit to the account-holder's account. Account statements are also described as notifications.

AOS

Additional Optional Services

B2B

Expression in the "Local Instrument" element in a Direct Debit message (pain.008) to indicate a SEPA Business-to-Business Direct Debit and a business direct debit in the Swiss-DD system used by PostFinance.

BIC

Bank Identifier Code (unique international identifier for financial institutions) or, now, Business Identifier Code for non-banks, see also <http://www.swift.com/biconline>

Booking

The recording of a business transaction on to accounts. Under double accounting, there are always at least two accounts involved in a booking. The booking is made up of at least one debit and at least one credit booking. One booking is always expressed in one booking line.

Core/Cor1

Expression in the "Local Instrument" element in a Direct Debit message (pain.008) to indicate a SEPA Core Direct Debit (Core) or a basic direct debit in the Swiss-DD system (Cor1).

CR

Creditor, equates to the beneficiary in the case of Credit Transfer and Direct Debit and is also regarded as the ordering party in the case of Direct Debit.

CSM

Clearing and Settlement Mechanisms (infrastructure of the settlement systems between banks)

Confirmation of execution

→ see Status Report

DEB

(Debtor, equates to the payer in the case of Credit Transfer and Direct Debit and is also regarded as the ordering party in the case of Credit Transfer.

Document

In ISO, a "document" contains an order from the customer to the bank to carry out 1-n payments. The term is used synonymously with message.

EPC

European Payments Council – a consortium of banks and bankers' associations from throughout Europe, is the owner of the SEPA schemes and defines the rules for the SEPA Direct Debit Scheme.

FATF

Financial Action Task Force on Money Laundering. The main aims of the FATF are to develop and promote principles for combating money laundering and the financing of terrorism.

FC

Foreign currency

FI

Financial institution (banks and PostFinance)

IBAN

International Bank Account Number under ISO 13066 (unique international identifier for bank accounts, see also <http://www.europeanpaymentscouncil.eu>)

ISO

International Organization for Standardization (see also <http://www.iso.org>)

ISO 20022

XML messages complying with the standard of the "ISO 20022 Financial Services – Universal Financial Industry message scheme".

Message

A message contains one or more payment orders (payments). Under ISO, a payment equates to B-Level with the corresponding debtors, and that in its turn can contain one or more C-Levels (creditors).

PACS

Payments Clearing & Settlement

PAIN

Payment Initiation

Payment

In electronic payment transactions, a payment equates to a payment order (instruction) to a financial institution in favour of a creditor, to hand over a certain sum of money.

SCT

SEPA Credit Transfer

SDD

SEPA Direct Debit

SEPA

Single Euro Payments Area

SEPA Direct Debit

General term for the two SEPA Direct Debit schemes (core and business-to-business).

SEPA B2B Direct Debit

Version of direct debit collection for businesses. The B2B version allows for shorter delivery times, but there are stricter conditions for mandate management. Furthermore, there is no right of objection in SEPA B2B Direct Debit.

SEPA Core Direct Debit

Basic version of a direct debit collection (Direct Debit Initiation, pain.008). In this version, collections which have already been made can be reversed using special procedures (Reject, Return or Refund).

SEPA Scheme Management

SEPA Scheme Management encompasses the administrative, compliance and development functions relating to a SEPA scheme.

Service Level Agreements

Agreements between a company that provides services for another company, intended to regulate the duties and responsibilities of each side.

SKSF

Swiss Commission for Financial Standardisation (see also <http://www.sksf.ch>)

Status Report

Message from the financial institution to the customer about the execution or rejection of payment orders.

SWIFT

Society for Worldwide Interbank Financial Telecommunication (see also www.swift.com)

Transaction

Under ISO, a transaction equates to a payment item at C-Level (creditor). Each item always has its corresponding order at B-Level (debtor).

UNIFI

UNiversal Financial Industry message scheme

XML

Extensible Markup Language (see also <http://www.w3.org/XML>)

XSD

XML Schema Definition (Definition of structures for XML documents)

Appendix F: Table of tables

Table 1:	Reference documents	14
Table 2:	Links to Internet pages	15
Table 3:	Transactions going to a financial institution in Switzerland	17
Table 4:	Transactions going to a financial institution abroad	18
Table 5:	Transactions not involving a financial institution in Switzerland or abroad	19
Table 6:	Cash Management messages	21
Table 7:	Key elements of Customer Credit Transfer Initiation	24
Table 8:	Key elements of Customer Direct Debit Initiation	26
Table 9:	Key elements of Payment Status Report	28
Table 10:	Key elements of Cash Management message "camt.053"	31
Table 11:	Grouping versions ("separate", "grouped", "mixed")	33
Table 12:	Customer Credit Transfer Initiation references	38
Table 13:	Variants in the case of Customer Direct Debit Initiation references	40
Table 14:	Controlling the debit advice	48
Table 15:	Cash Management messages	59
Table 16:	Optional Cash Management messages	60
Table 17:	Versions of Cash Management messages	61
Table 18:	Batch booking versions	63
Table 19:	ISO balance codes	66
Table 20:	ISO booking status codes	67

Appendix G: Table of figures

Figure 1:	Payment orders under ISO 20022	22
Figure 2:	Message structure Customer Credit Transfer Initiation	23
Figure 3:	Message structure Customer Direct Debit Initiation	25
Figure 4:	Message structure Payment Status Report	27
Figure 5:	Message structure Cash Management messages	29
Figure 6:	Grouping versions ("separate", "grouped", "mixed")	33
Figure 7:	Batch Booking FALSE	35
Figure 8:	Batch Booking TRUE	36
Figure 9:	Customer Credit Transfer references	41
Figure 10:	Validation portal customer-bank	57
Figure 11:	Bank Transaction Code	67
Figure 12:	Summary mapping MT940 on to "camt.053"	72
Figure 13:	Interaction between "pain.001" and "camt.053"	73
Figure 14:	Basis for the Swiss Payment Standards	75